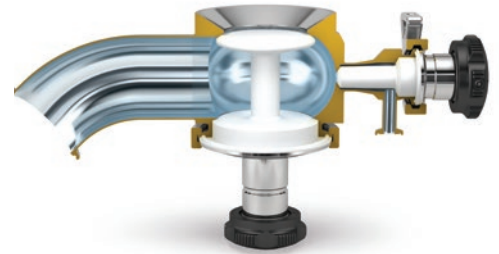


Radial diaphragm™ Sterillite™ valve

FEATURES AND BENEFITS

- Patented radial diaphragm, eliminates entrapment for easy cleaning
- Simple Tri-Clamp assembly makes maintenance 80% faster
- No readjustment or retightening
- Integrated travel stops



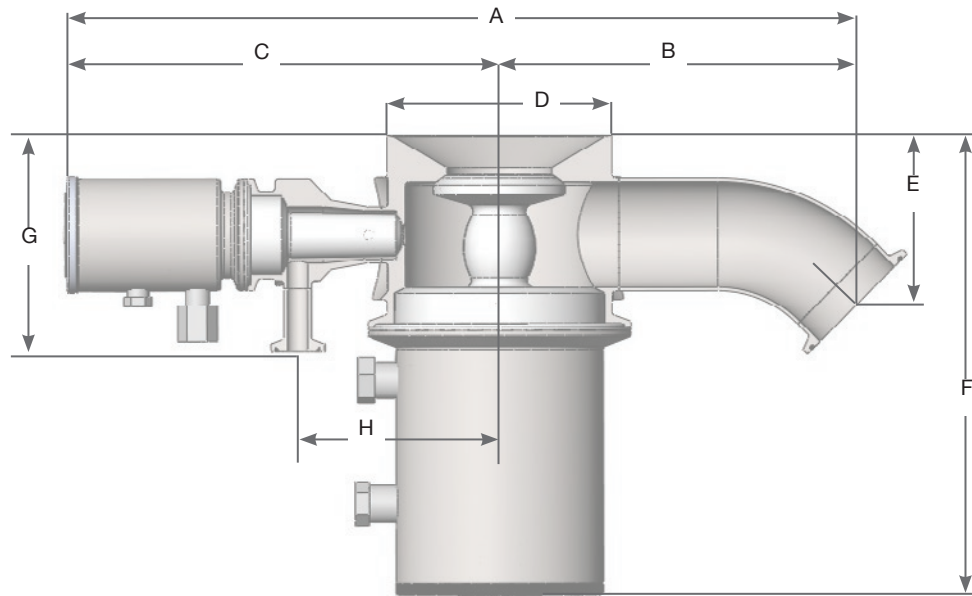
TECHNICAL DATA

Valves					
Material	316L, AL6XN, Hastelloy Machined from solid, hot-rolled, bar stock				
Surface Finish	Max. 0.5 µm Ra (20 micro-inch Ra), electropolished Max. 0.375 µm Ra (15 micro-inch Ra), electropolished Max. 0.25 µm Ra (10 micro-inch Ra), electropolished				
Sizes	0.75 inches through 3 inches				
Outlet Connections	Standard: Sanitary flange or butt weld, (others available)				
Steam Valve Inlet Connection	0.5-inch Sanitary flange standard (others available)				
Maximum Pressure	ASME vessels: 17 bar (250 psi) PED vessels: 12 bar (175 psi)				
Maximum Temperature	Varies from 135C/275F to 200C/400F depending on diaphragm material				
Marking	Each valve is serialized and marked for full material traceability				
ISO	All product and procedures are governed by our ISO Quality Assurance Program				
Standards	BPE, CE-PED, ASME				
Actuators					
Types	Autoclavable Manual or compact normally closed or normally open pneumatic Both actuators feature position and leak indicators and are self contained				
Material	304 stainless steel housing, can be made in 316L				
Sizes	0.5 inches through 4 inches				
Operating Air Pressure	7 bar (100 psi) max. for pneumatic actuators				
Seals	Teflon bushings and O-rings				
Fitting	1/8-inch NPT air connection (for pneumatic)				
Possible Instrumentation	Switched With or without solenoids With or without DeviceNet cards				
Diaphragms					
Materials	Silicone	Silicone Plus	EPDM	EPDM Plus	Viton
Temperature Range	-51 to 135C (-60 to 275F)	-51 to 135C (-60 to 275F)	-35 to 135C (-30 to 275F)	-35 to 135C (-30 to 275F)	-20 to 204C (-4 to 400F)
Class	USP Class VI, 21 CFR 177.2600	USP Class VI, 21 CFR 177.2600	USP Class VI, 21 CFR 177.2600	USP Class VI, 21 CFR 177.2600	USP Class VI, 21 CFR 177.2600
Parylene Treatment	-	√	-	√	-

PERFORMANCE DATA

Sterillite valve flow rates	
Size inches	Cv at 0.07 bar (1 psi) LPM (USGPM)
0.75	39.7 (10.5)
1.00	59.8 (15.8)
1.50	180 (47.5)
2.00	272 (72)
2.50	643 (170)
3.00	1143 (302)

DIMENSIONS



TFXX-210-X: Flush-mounted* Sterillite valve

Size	A	B	C - with Pneumatic Actuator	C - with Manual Actuator	D	E	F	G	H
inches	mm (in)	mm (in)	mm (in)	mm (in)	mm (in)	mm (in)	mm (in)	mm (in)	mm (in)
0.75	113 (4.44)	52 (2.06)	173 (6.82)	148 (5.81)	76 (2.98)	76 (2.98)	76 (2.98)	85 (3.34)	73 (2.89)
1.00	253 (9.98)	96 (3.78)	208 (8.19)	186 (7.34)	76 (2.98)	62 (2.45)	133 (5.25)	85 (3.34)	73 (2.89)
1.50	297 (11.71)	132 (5.19)	184 (7.26)	166 (6.53)	76 (2.98)	64 (2.53)	146 (5.75)	91 (3.59)	81 (3.17)
2.00	339 (13.33)	163 (6.43)	271 (10.66)	212 (8.34)	102 (4.00)	95 (3.75)	185 (7.30)	98 (3.84)	91 (3.59)
2.50	200 (7.89)	192 (7.54)	271 (10.66)	212 (8.34)	125 (4.91)	125 (4.91)	125 (4.91)	110 (4.34)	111 (4.38)
3.00	430 (16.92)	235 (9.24)	381 (15.00)	284 (11.17)	125 (4.91)	133 (5.22)	212 (8.34)	110 (4.34)	111 (4.38)

*Main Valve Body available in Clamp Inlet upon request

TECHNICAL SPECIFICATION

Weights

Size inches	Valve Body kg (lb)	Total Weight with Manual Actuator kg (lb)	Total Weight with Pneumatic Actuator kg (lb)
0.75	1.40 (3.10)	3.06 (6.75)	3.61 (7.95)
1.00	1.36 (3.00)	3.02 (6.65)	3.56 (7.85)
1.50	2 (4.43)	3.67 (8.08)	4.21 (9.28)
2.00	3.45 (7.60)	6.24 (13.75)	6.99 (15.40)
2.50	6.03 (13.29)	8.80 (19.39)	16.35 (36.04)
3.00	5.98 (13.18)	8.75 (19.28)	16.30 (35.93)

ORDERING INFORMATION

Model Code	Part Description
TF10-210-X*	Radial valve 1", Sterillite EN 1.4435 body/EN1.4404 fittings, Fits 0.375" thick or less head, 1" 45° clamp-end outlet, Flush diaphragm & 0.5" satellite valve, Flush diaphragm @ 180, 0.5" Straight Clamp, Ra surface finish*, electropolished and passivated, includes body/actuator clamp
TF17-210-X*	Radial valve 1.5", Sterillite EN 1.4435 body/EN1.4404 fittings, Fits 0.375" thick or less head, 1.5" 45° clamp-end outlet, Flush diaphragm & 0.5" satellite valve, Flush diaphragm @ 180, 0.5" Straight Clamp, Ra surface finish*, electropolished and passivated, includes body/actuator clamp
TF20-210-X*	Radial valve 2", Sterillite EN 1.4435 body/EN1.4404 fittings, Fits 0.375" thick or less head, 2" 45° clamp-end outlet, Flush diaphragm & 0.5" satellite valve, Flush diaphragm @ 180, 0.5" Straight Clamp, Ra surface finish*, electropolished and passivated, includes body/actuator clamp
TF30-210-X*	Radial valve 3", Sterillite EN 1.4435 body/EN1.4404 fittings, Fits 0.375" thick or less head, 3" 45° clamp-end outlet, Flush diaphragm & 0.5" satellite valve, Flush diaphragm @ 180, 0.5" Straight Clamp, Ra surface finish*, electropolished and passivated, includes body/actuator clamp

*Note: X represents one of the following options-

- 1 = 20 micro-inch Ra surface finish
- 2 = 15 micro-inch Ra surface finish
- 3 = 10 micro-inch Ra surface finish

Disclaimer: The information contained in this document is believed to be correct but ASEPCO accepts no liability for any errors it contains and reserves the right to alter specifications without notice. It is the users responsibility to ensure product suitability for use within their application. Radial diaphragm is a trademark of ASEPCO Corporation. Tri-Clamp is a registered trademark of Alfa Laval Corporate AB.

ASEPCO

wmftg.com
info.asepco@wmftg.com
+1-650-691-9500

A member of Watson-Marlow Fluid Technology Group, A Spirax-Sarco Engineering plc company