

114DV pumphead

100 series pumpheads

Features and benefits

- High accuracy and repeatable flows for single channel applications
- Flow rates for up to 340 ml/min for continuous use and up to 510 ml/min for intermittent use
- Highly flexible with seven tube bore sizes at 1.6 mm wall thickness
- Error-free tube change takes only seconds



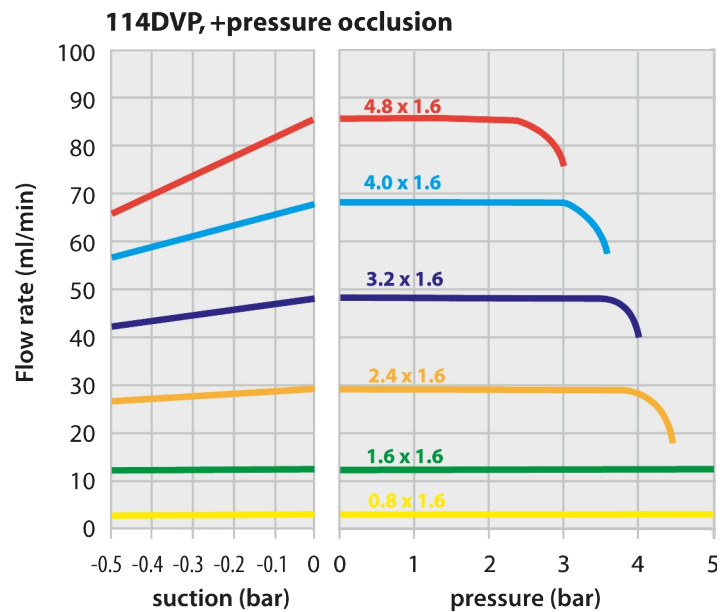
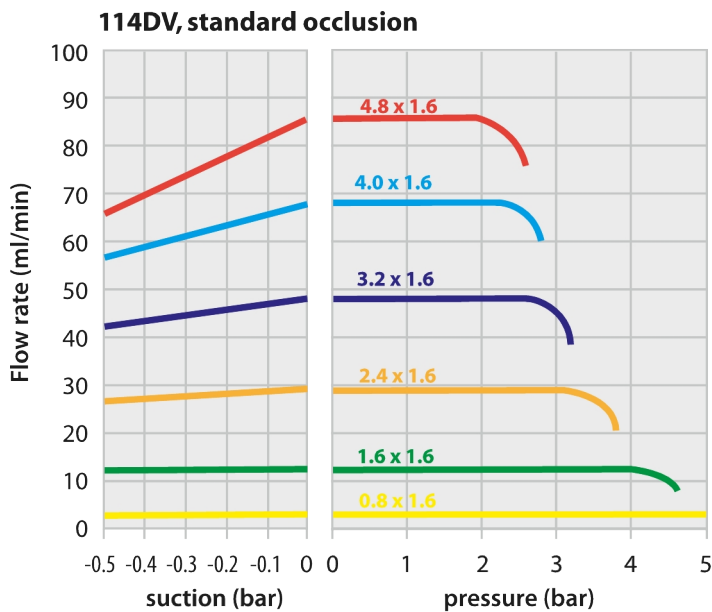
114DV pumphead performance

114 pumphead for continuous 1.6mm wall tubing – Flow rates (ml/min)				
Tube bore (mm)	(ml/rev)	Speed (rpm)		
		100	400	600 (intermittent)
0.5	0.02	2.2	9.1	13.5
0.8	0.04	4.3	17	26
1.6	0.14	14	56	84
2.4	0.29	29	115	175
3.2	0.47	47.5	190	285
4.0	0.67	67	270	405
4.8	0.85	85	340	510

Custom options

Pumphead options

- No visible rotation - covered holes
- Logic off switch and rotation sensor
- Custom colours
- Models for thin wall tubing
- Custom occlusion settings
- Silent version available



Flows obtained pumping water at 100rpm CCW-rotation

Technical specifications

	114DV pumphead
Number of channels	1
Number of rollers	4
Max. flow rate continuous	340 ml/min
Max. flow rate intermittent	510 ml/min
Max. continuous operating speed	400 rpm
Operating torque	0.25 N m
Operating temperature	-10 °C to 45 °C (14 °F to 113 °F)
Pump type	Cased, Panel mount
Weight	0.1 kg (0.22 lbs)
Compatible tubing bore size	0.5, 0.8, 1.6, 2.4, 3.2, 4, 4.8 mm
Compatible tubing wall thickness	1.6, 2.4 mm

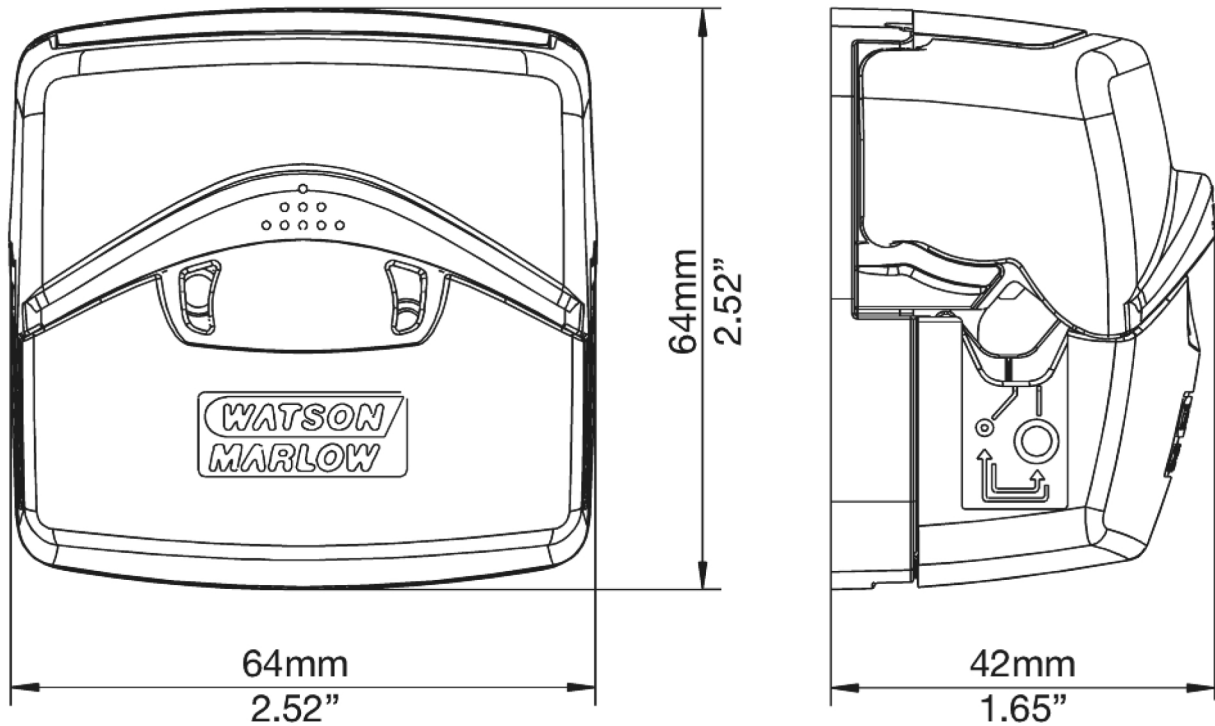
Materials of construction

	114DV pumphead
Bearings	Stainless steel
Pumphead body assembly	Grilamid PA12, Polyacrylamide-IXEF (PARA)
Pumphead track	Polyacrylamide-IXEF (PARA)
Pumphead roller assembly	PTFE filled PBT
Pumphead rotor assembly	FPM rubber, Polyacrylamide-IXEF (PARA), PTFE filled PBT, Stainless steel

Information listed covers the complete range.

For detailed specifications of individual models/components refer to user manual or contact WMFTS representative.

114DV pumphead dimensions



Product codes

Description	Part code
114DV standard pumphead	013.5000.00A
114DVP +pressure pumphead	013.5000.P0A

Tube ordering codes for 114DV and 114DVP pumpheads

Bore/wall	Pumpsil	Marpene	Bioprene	STA-PURE PFL	PVC*
0.5/1.6mm	913.A005.016	902.0005.016	933.0005.016		
0.8/1.6mm	913.A008.016	902.0008.016	933.0008.016		
1.6/1.6mm	913.A016.016	902.0016.016	933.0016.016	966.0016.016	E3603.016.16
2.4/1.6mm	913.A024.016	902.0024.016	933.0024.016		
3.2/1.6mm	913.A032.016	902.0032.016	933.0032.016	966.0032.016	E3603.032.16
4.0/1.6mm			933.0040.016		E3603.040.16
4.8/1.6mm	913.A048.016	902.0048.016	933.0048.016	966.0048.016	E3603.048.16
Bore/wall	STA-PURE PCS				
0.5/1.6mm					
0.8/1.6mm					
1.6/1.6mm	961.0016.016				
2.4/1.6mm					
3.2/1.6mm	961.0032.016				
4.0/1.6mm					
4.8/1.6mm	961.0048.016				

*recommended for 114DVP +pressure pumphead only

Disclaimer: All flow rates shown were obtained pumping water at 20 °C (68 °F) with zero suction and delivery heads. Watson-Marlow, Pumpsil, PureWeld XL, Bioprene and Marprene are trademarks of Watson-Marlow Limited. Disclaimer: The information contained in this document is believed to be correct but Watson-Marlow Limited accepts no liability for any errors it contains, and reserves the right to alter specifications without notice. GORE and STA-PURE are trademarks of W. L. Gore & Associates. Please state the product code when ordering pumps and tubing.



wmfts.com/global
10 July 2025