

314D pumphead

300 series flip-top pumpheads

- Its iconic flip-top design for fast and error-free tube loading makes it the most popular choice in many medical and upstream cell culture applications
- Pumpheads can be extended to provide up to six separate channels depending on drive torque
- Three and four roller versions are most popular. Up to eight rollers is possible for lowest pulsation and greatest accuracy
- Flow rates for up to 1200 ml/min for continuous use and up to 2400 ml/min for intermittent use



314D pumphead performance

314 rapid load pumpheads (four rollers) for continuous 1.6mm wall tubing – Flow rates (ml/min)

Tube bore (mm)	(ml/rev)	Max continuous flow (ml/min)	Max Intermittent flow (ml/min)
0.5	0.03	9.0	18
0.8	0.06	18	36
1.6	0.25	75	150
3.2	0.85	255	510
4.8	1.9	570	1140
6.4	3.0	900	1800
8.0	4.0	1200	2400

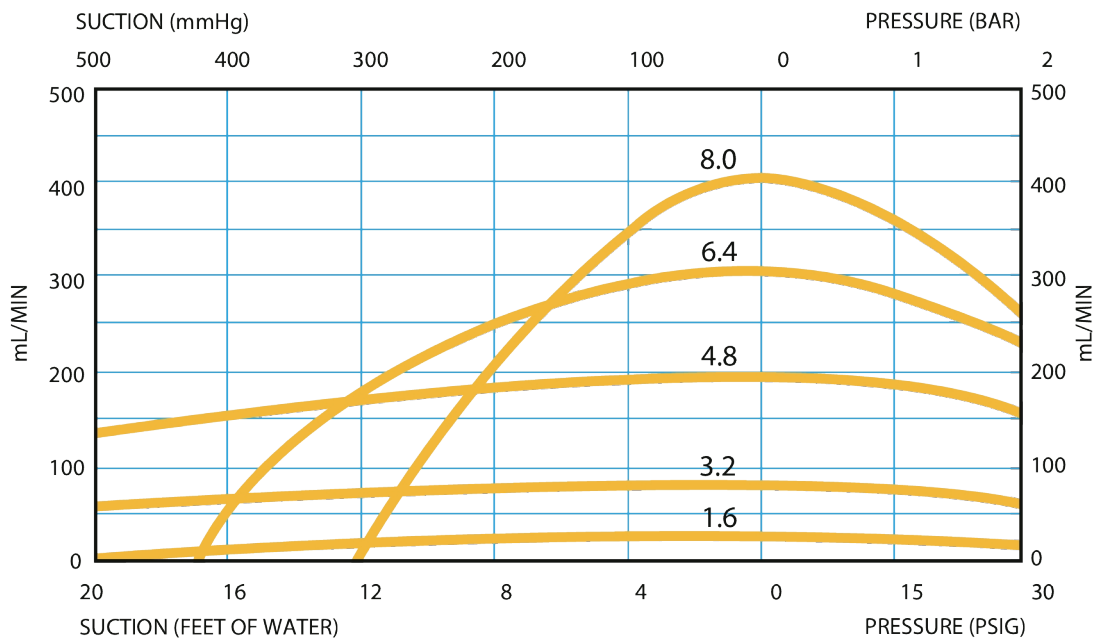
Curves conditions and conversion factors

Conditions:

- Suction curves obtained with zero output pressure.
- Pressure curves obtained with zero lift.
- Pumphead speed 100 rpm.

Conversion Factors:

- Suction pressure in Bar x 747.7 = mm Hg
- Suction pressure in Bar x 33.5 = Ft H₂O
- Back pressure in Bar x 14.5 = psi



Technical specifications

314D pumphead	
Number of channels	1
Number of rollers	4
Max. flow rate continuous	1200 ml/min
Max. flow rate intermittent	2400 ml/min
Max. continuous operating speed	400 rpm
Pump type	Cased, Panel mount
Compatible tubing bore size	0.5, 0.8, 1.6, 3.2, 4.8, 6.4, 8 mm
Compatible tubing wall thickness	1.6, 2.4 mm

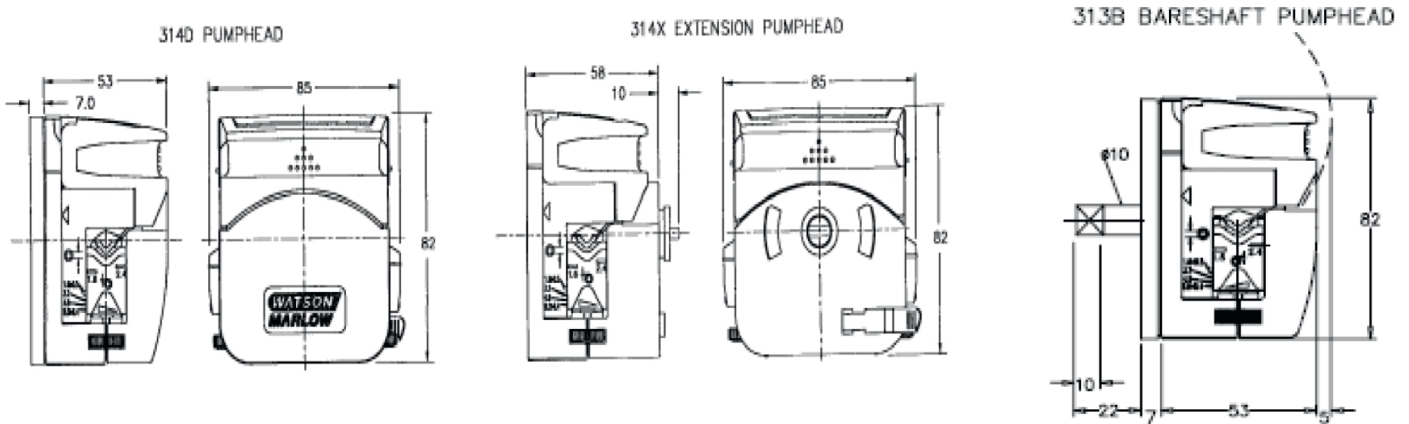
Materials of construction

314D pumphead	
Bearings	Carbon steel
Pumphead body assembly	Glass filled polypropylene, Polyacrylamide-IXEF (PARA), Stainless steel
Pumphead track	Polyacrylamide-IXEF (PARA)
Pumphead roller assembly	MoS2 filled Nylon 6 (Nylatron)
Pumphead rotor assembly	Electroless nickel plated hardened steel, Glass filled Nylon

Information listed covers the complete range.

For detailed specifications of individual models/components refer to user manual or contact WMFTS representative.

314D pumphead dimensions



Product codes

Four roller 1.6mm wall thickness tubing						
Description	Partcode					
Clamp setting	314D	314X	314B	314XB	314DW	314BW
Variable	033.4411.000	033.4431.000	033.4421.000	033.4441.000	033.4451.000	033.4461.000
0.5-1.6	033.4411.00C	033.4431.00C	033.4421.00C	033.4441.00C	033.4451.00C	033.4461.00C
3.2	033.4411.00F	033.4431.00F	033.4421.00F	033.4441.00F	033.4451.00F	033.4461.00F
4.8	033.4411.00K	033.4431.00K	033.4421.00K	033.4441.00K	033.4451.00K	033.4461.00K
6.4-8.0	033.4411.00N	033.4431.00N	033.4421.00N	033.4441.00N	033.4451.00N	033.4461.00N
Four roller 2.4mm wall thickness tubing						
Description	Partcode					
Clamp setting	314D2	314X2	314B2	314XB2	314DW2/314BW2	
Variable	033.4511.000	033.4531.000	033.4521.000	033.4541.000	033.4551.000	033.4561.000
0.5-1.6	033.4511.00C	033.4531.00C	033.4521.00C	033.4541.00C	033.4551.00C	033.4561.00C
3.2	033.4511.00F	033.4531.00F	033.4521.00F	033.4541.00F	033.4551.00F	033.4561.00F
4.8	033.4511.00K	033.4531.00K	033.4521.00K	033.4541.00K	033.4551.00K	033.4561.00K
6.4	033.4511.00N	033.4531.00N	033.4521.00N	033.4541.00N	033.4551.00N	033.4561.00N

Disclaimer: All flow rates shown were obtained pumping water at 20 °C (68 °F) with zero suction and delivery heads. Watson-Marlow, Pumpsil, PureWeld XL, Bioprene and Marprene are trademarks of Watson-Marlow Limited. Disclaimer: The information contained in this document is believed to be correct but Watson-Marlow Limited accepts no liability for any errors it contains, and reserves the right to alter specifications without notice. GORE and STA-PURE are trademarks of W. L. Gore & Associates. Please state the product code when ordering pumps and tubing.



wmfts.com/global
10 July 2025