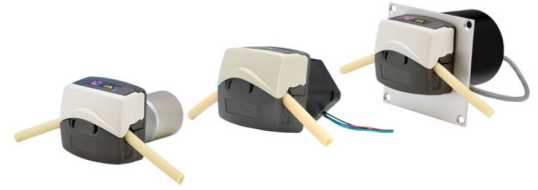


100 VDL DV pump

100 series panel mount pumps

- Unique easy load pump head for flows up to 510ml/min
- Brushless Direct-Drive technology for life up to 20,000hrs
- No maintenance - Minimum total life cost
- Simple to use - Analogue speed control, 0-4 V
- CW/CCW direction control
- Brake feature - Stops in microseconds
- Encoder feedback, 36 pulses per motor revolution



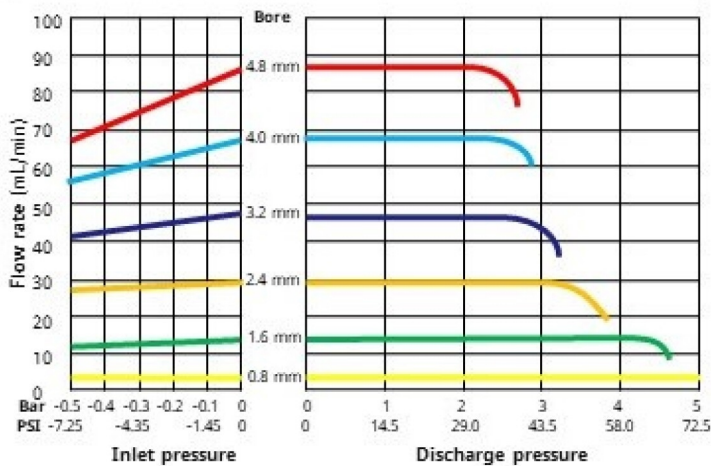
100 VDL DV pump performance

Flow rates (ml/min) Tubing 1.6 mm wall				
Tube bore (mm)	(ml/rev)	Speed (rpm)		
		100	400	600 (Intermittent)
0.5	0.02	2.2	9.1	13.5
0.8	0.04	4.3	17	26
1.6	0.14	14	56	84
2.4	0.29	29	115	175
3.2	0.47	47.5	190	285
4.0	0.67	67	270	405
4.8	0.85	85	340	510

Custom options	
Drives	0-10 V analogue control
	4-20mA analogue control
	Fixed speed (no control voltage needed)
	Potentiometer control
Pumphead	No visible rotation - covered holes
	Logic off switch and rotation sensor
	Custom colours
	Custom occlusion settings

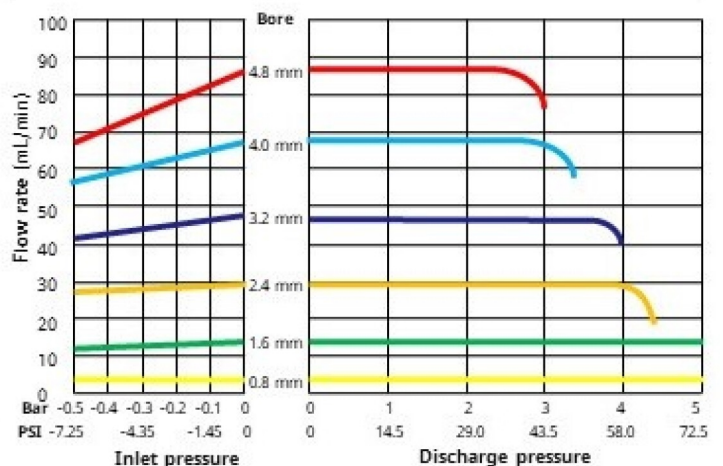
114DV Pumphead

Marprene, water, 100 rpm, counter-clockwise



114DVP Pumphead

Marprene, water, 100 rpm, counter-clockwise



Technical specifications

100 VDL DV pump	
Motor types	Variable speed brushless DC motor
Pumphead options	114DV
Number of rollers	4
Number of channels	1
Flow rate range	2.2 ml/min to 510 ml/min
Operating speed range	100 rpm to 600 rpm
Supply voltage	24 V DC
Operating temperature	-10 °C to 45 °C (14 °F to 113 °F)
Power consumption	75W
Control options	0-10 V, 0-4 V, 4-20 mA, Manual
Outputs	Tacho
Weight	0.8 kg (1.763 lbs)
Location	Indoor, Enclosure
Compatible tubing bore size	0.5, 0.8, 1.6, 2.4, 3.2, 4, 4.8 mm
Compatible tubing wall thickness	1.6 mm
Approximate Motor Life	Up to 20,000hrs

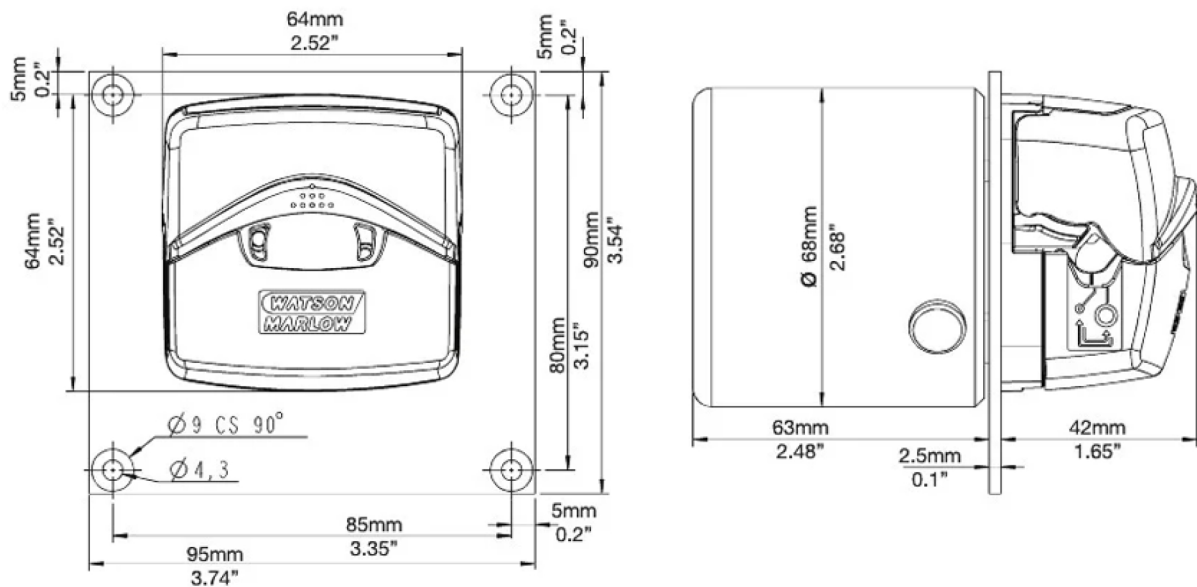
For detailed specifications of individual models refer to product reference manual or contact WMFTS representative.

Materials of construction

100 VDL DV pump	
Pumphead body assembly	Grilamid PA12, Polyacrylamide-IXEF (PARA)
Pumphead rotor assembly	FPM rubber, Polyacrylamide-IXEF (PARA), PTFE filled PBT, Stainless steel
Pumphead roller assembly	PTFE filled PBT
Bearings	Stainless steel
Adaptor plate	IXEF PARA
Driveshaft	Stainless steel
Springs	Stainless steel
Mounting plate assembly	Anodised aluminium

Information listed covers the complete range. For detailed specifications of individual models/components refer to product reference manual or contact WMFTS representative.

100 VDL DV pump dimensions



Product codes

Pump product codes						
Description	Supply	Speed (rpm)	with 114DV	with 114DVP		
114VDL variable speed motor drive	24 VDC	100 - 600	010.5NW0.00A	010.5NW0.P0A		
Tubing product codes for 114DV and 114DVP pumphheads						
Bore/wall	Pumpsil	Marprene	Bioprene	STA-PURE PFL	PVC*	STA-PURE PCS
0.5/1.6 mm	913.A005.016	902.0005.016	933.0005.016			
0.8/1.6 mm	913.A008.016	902.0008.016	933.0008.016			
1.6/1.6 mm	913.A016.016	902.0016.016	933.0016.016	966.0016.016	E3603.016.16	961.0016.016
2.4/1.6 mm	913.A024.016	902.0024.016	933.0024.016			
3.2/1.6 mm	913.A032.016	902.0032.016	933.0032.016	966.0032.016	E3603.032.16	961.0032.016
4.0/1.6 mm			933.0040.016		E3603.040.16	
4.8/1.6 mm	913.A048.016	902.0048.016	933.0048.016	966.0048.016	E3603.048.16	961.0048.016

*recommended for 114DVP +pressure pumphhead only

Disclaimer: All flow rates shown were obtained pumping water at 20 °C (68 °F) with zero suction and delivery heads. Watson-Marlow, Pumpsil, PureWeld XL, Bioprene and Marprene are trademarks of Watson-Marlow Limited. The information contained in this document is believed to be correct but Watson-Marlow Limited accepts no liability for any errors it contains, and reserves the right to alter specifications without notice. GORE and STA-PURE are trademarks of W. L. Gore & Associates. Please state the product code when ordering pumps and tubing.



wmfts.com/global
21 October 2025