

621F with 620RE pumphead



600 series close-coupled pumps

Features and benefits

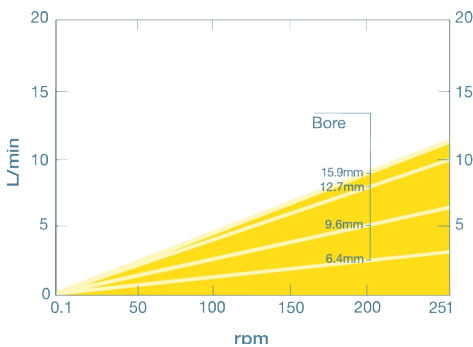
- Simplex flow rates up to 18 L/min
- Discharge pressures up to 4 bar with element style pumpheads
- 620RE two roller or 620RE4 four roller pumphead with CIP/SIP rotor and rapid snap-fit tube loading, pumphead accepts both 12 mm and 17 mm industrial and sanitary LoadSure elements
- Compact design with foot mounted gearbox
- 24-hour continuous duty with a two-year warranty
- Reversible operation
- Fixed Speed options: 230/460 VAC, 50/60 Hz 3-phase or 120/240 VAC, 50/60 Hz, 1-phase. Variable speed options supplied with 230/3/60, 460/3/60, 120/1/60 or 220/1/60 Variable frequency drive



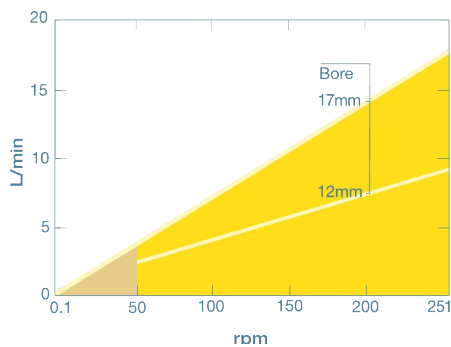
621F with 620RE pumphead performance

Tube bore and flow rates (L/min)	Fixed					Elements			
	rpm	620R continuous tubing				620RE LoadSure		620RE4 LoadSure	
Material	rpm	6.4mm	9.6mm	12.7mm	15.9mm	12.0mm	17.0mm	12.0mm	17.0mm
Marpene, Bioprene TM	77/250					2.9/9.3	4.5/14.8	2.4/7.9	3.2/10.3
Marpene, Bioprene TL	77/250	1.0/3.3	1.9/6.3	3.1/10	4.2/11	2.9/9.3	4.7/16.9	2.4/7.9	3.6/11.8
Pumpsil Platinum Silicone Neoprene, STA-PURE PCS	77/250	0.92/3.0	2.1/6.8	3.2/11	4.7-14	3.0/9.7	4.7/15	2.5/8.3	3.3/11
STA-PURE PFL	77/250	0.92/3.0	1.9/6.3	3.1/10	4.7-15	3.1/10.0	5.6/18	2.6/8.5	3.9/13

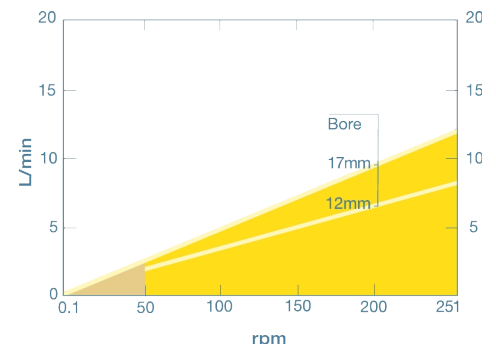
620R performance graph



620RE performance graph



620RE4 performance graph



Technical specifications

621F with 620RE pumphead	
Flow rate range	0.92 L/min to 18 L/min
Flow rate range	0.24 USGPM to 4.75 USGPM
Max. operating pressure	4 bar
Max. operating pressure	60 psi
Motor types	Fixed speed motor
Standards	CE
Ingress Protection	IP55
Noise	75dB(A) at 1m
Weight	18.5 kg
Weight	40.43 lbs
Power supply	230/400 V 3 ph, 50 Hz

Table lists details for fixed speed pumps. For more detail on drive, AC motor and inverter options please contact your local Watson-Marlow Fluid Technology Solutions representative.

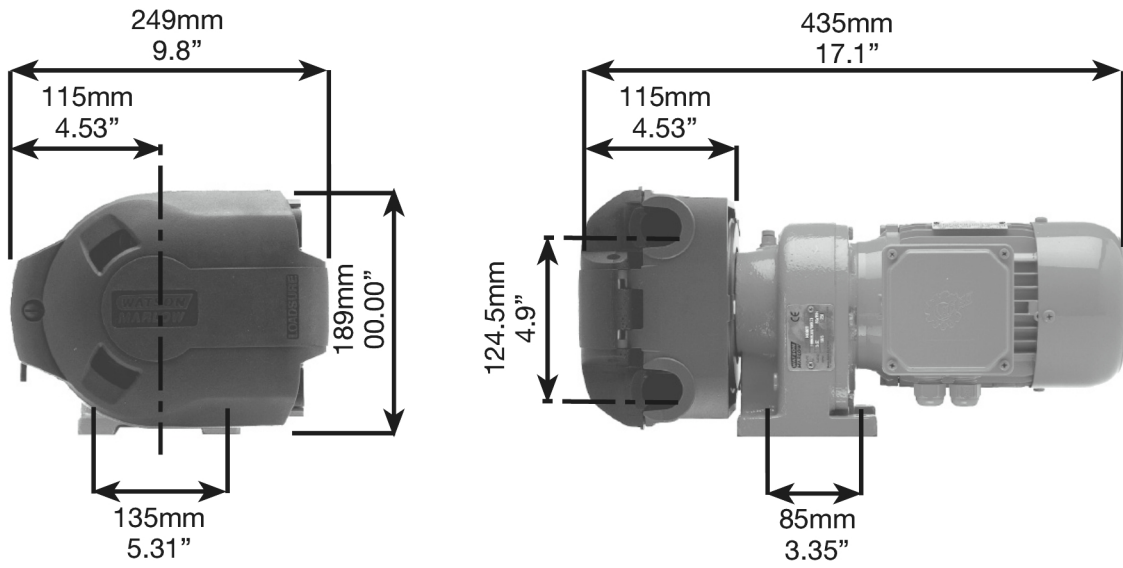
Materials of construction

	621F with 620RE pumphead
Gearbox	Cast iron
Motor	Cast aluminium alloy
Pumphead rotor assembly	Fortron 1140L0 (PPS)
Seals	Neoprene
Tube clamp assembly	PP (polypropylene)

Information listed covers the complete range of fixed speed pumps.

For detailed specifications of individual models/components and other drive/pumphead options, refer to user manual or contact WMFTS representative.

621F with 620RE pumphead dimensions



Product codes

Pump	rpm	Supply	Product code
621F/RE	77	230/400V 50Hz 3ph 0.37kW	060.8122.E20 - *10:1
	250	230/400V 50Hz 3ph 0.37kW	060.8152.E20 - *5:1

*10:1 or 5:1 speed reduction available using VFD

*ATEX pumps 10:1 speed reduction available using VFD from geared units fitted with PTC thermistors

For alternative speeds and motor options contact Watson-Marlow Applications Engineering Department.

Pumphead	Description	Product code
620RE	Two roller LoadSure element pumphead for maximum 4 bar peak pressure	064.0231.000

Tubing				
Bore/wall (mm)	Bioprene	Marprene	Platinum Silicone	PureWeld XL
6.4x3.2	933.0064.032	902.0064.032	913.A064.032	
9.6x3.2	933.0096.032	902.0096.032	913.A096.032	942.0096.032
12.7x3.2	933.0127.032	902.0127.032	913.A127.032	942.0127.032
15.9x3.2	933.0159.032	902.0159.032	913.A159.032	
Bore/wall (mm)	STA-PURE	STA-PURE PFL		
6.4x3.2	961.0064.032	966.0064.032		
9.6x3.2	961.0096.032	966.0096.032		
12.7x3.2	961.0127.032	966.0127.032		
15.9x3.2	961.0159.032	966.0159.032		

Loadsure Elements				
Material	12mm Tri-Clamp 3/4" PVDF connectors	17mm Tri-Clamp 3/4" PVDF connectors	12mm C&G with PP 3/4" connectors	17mm C&G with PP 3/4" connectors
Bioprene TL 0-2 bar (peak)	933.0120.PFT	933.0170.PFT		
Bioprene TM 0-4 bar (peak)	933.M120.PFT	933.M170.PFT		
STA-PURE PCS 0-4 bar (peak)	961.0120.PFT	961.0170.PFT		
Pumpsil (0-2 bar peak)	913.A120.PFT	913.A170.PFT		
Marprene TL 0-2 bar (peak)			902.0120.PPC	902.0170.PPC
Marprene TM 0-4 bar (peak)			902.P120.PPC	902.P170.PPC
Pumpsil 0-2 bar (peak)			913.A120.PPC	913.A170.PPC

Disclaimer: All flow rates shown were obtained pumping water at 20 °C (68 °F) with zero suction and delivery heads. Watson-Marlow, Pumpsil, PureWeld XL, Bioprene and Marprene are trademarks of Watson-Marlow Limited. Disclaimer: The information contained in this document is believed to be correct but Watson-Marlow Limited accepts no liability for any errors it contains, and reserves the right to alter specifications without notice. GORE and STA-PURE are trademarks of W. L. Gore & Associates. Please state the product code when ordering pumps and tubing.



wmfts.com/global
31 March 2025