

730 Drive with 720R pumphead



700 series cased pump

Features and benefits

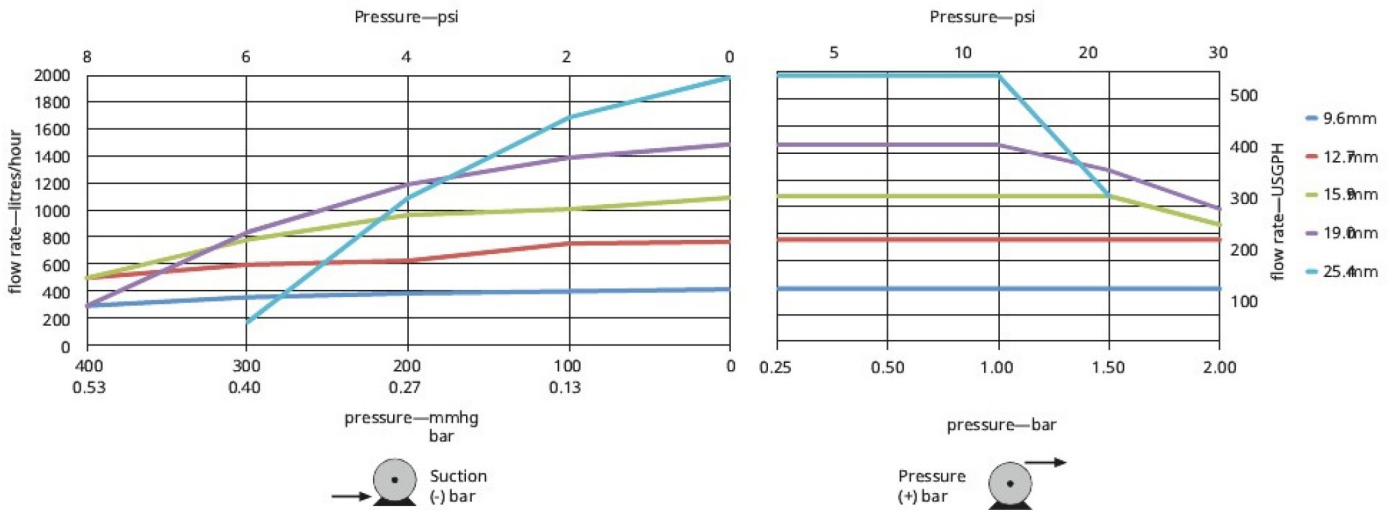
- Colour display and intuitive menu structures provide visual status indication and minimal key presses
- Flow rates from 0.12 L/h (0.03 USGPH) to 2000 L/h (528 USGPH)
- 3,600:1 speed control range from 0.1 to 360 rpm in 0.1 rpm increments
- Keypad incorporates 3-level security PIN lock
- IP66 (NEMA 4X) cased pumps
- Dual voltage 115/230 V 50/60 Hz
- Remote Analogue/Digital, RS485, PROFIBUS®, PROFINET®, SCADA and EtherNet/IP™ control options



730 Drive with 720R pumphead performance

| 720R single pumpheads | 0.25 bar (3.6 psi) | | 0.5 bar (8 psi) | | 1 bar (15 psi) | | 1.5 bar (22 psi) | | 2 bar (30 psi) | |
|-----------------------|--------------------|------------|------------------|------------|------------------|------------|------------------|------------|------------------|------------|
| | Max speed (rpm)* | Max flow | Max speed (rpm)* | Max flow | Max speed (rpm)* | Max flow | Max speed (rpm)* | Max flow | Max speed (rpm)* | Max flow |
| 9.6 mm (0.4") | 360 | 420 (111) | 360 | 420 (111) | 360 | 420 (111) | 360 | 420 (111) | 360 | 420 (111) |
| 12.7 mm (0.5") | 360 | 780 (206) | 360 | 780 (206) | 360 | 780 (206) | 360 | 780 (206) | 360 | 780 (206) |
| 15.9 mm (0.6") | 360 | 1100 (291) | 360 | 1100 (291) | 360 | 1100 (291) | 360 | 1100 (291) | 300 | 900 (238) |
| 19.0 mm (0.7") | 360 | 1500 (396) | 360 | 1500 (396) | 360 | 1500 (396) | 300 | 1300 (343) | 250 | 1000 (264) |
| 25.4 mm (1.0") | 360 | 2000 (528) | 360 | 2000 (528) | 360 | 2000 (528) | 200 | 1100 (291) | | |

*The maximum speed is reduced at increased discharge pressures to ensure safe running of the pump



Technical specifications

| | 730 Drive with 720R pumphead |
|----------------------------------|---|
| Pumphead number of rollers | 4 |
| Pumphead number of channels | 1 |
| Flow rate | 0.12 L/h to 2000 L/h |
| Flow rate | 0.03 USGPH to 528 USGPH |
| Drive speed control ratio | 3600:1 |
| Drive speed | 0.1 - 360 rpm |
| Operating temperature | 5 °C to 40 °C (40 °F to 104 °F) |
| Weight | 25 kg (55.1 lbs) |
| Drive weight | 18.5 kg (40.8 lbs) |
| Control types | EtherNet/IP™, Profibus®, Profinet®, Remote Analogue/Digital, RS485, SCADA |
| Drive control options | BpN, DuN, DuS, EnN, PnN, SN, UN, US |
| Standards | CE, cETLus, C-Tick, IRAM, NSF/ANSI 61 (for Marprene tubing and LoadSure elements) |
| Drive ingress protection | IP66, NEMA 4X |
| Drive humidity | (Non-condensing) 80 % up to 31 °C (88 °F) decreasing linearly to 50 % at 40 °C (104 °F) |
| Drive noise | 85dB(A) at 1m |
| Max. altitude | 2000 m (6562 ft) |
| Drive power supply | 100 V to 120 V/200 V to 240 V 1ph 50/60 Hz 350 VA |
| Compatible tubing bore size | 9.6, 12.7, 15.9, 19, 25.4 mm |
| Compatible tubing wall thickness | 4.8 mm |

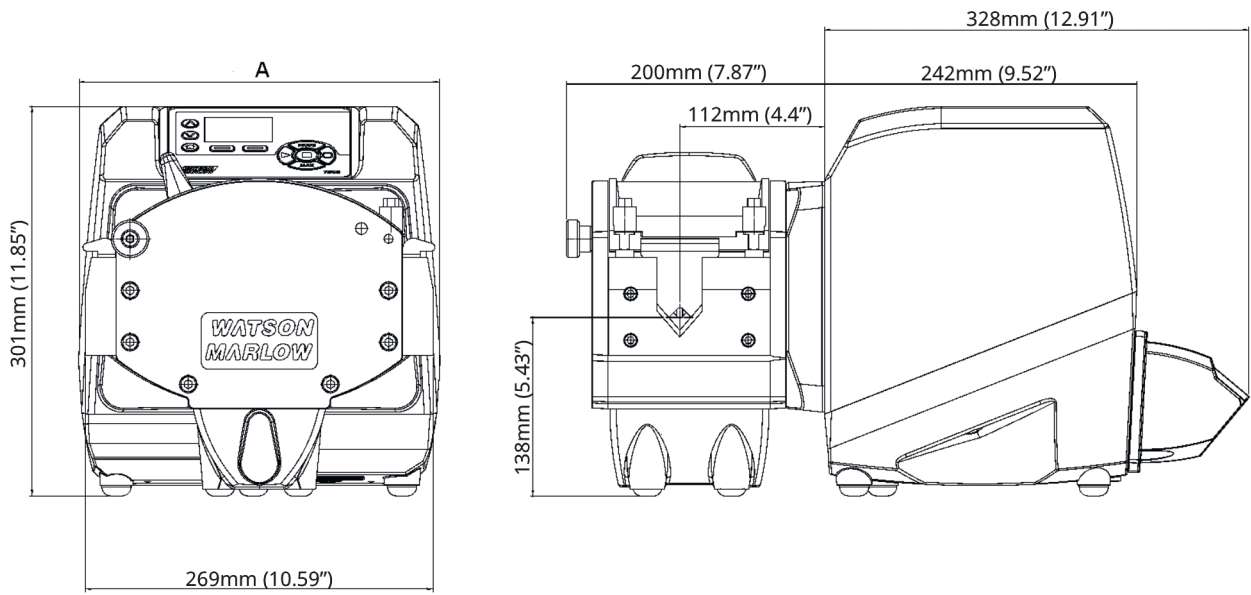
Materials of construction

| | 730 Drive with 720R pumphead |
|----------------------------|---|
| Driveshaft | Stainless steel 440C |
| Drive casework | Pressure die-cast aluminium LM24, Pressure die-cast aluminium LM6 |
| Drive casework coating | Alocrom pre-treatment, Exterior grade polyester powder coat |
| Guide roller assembly | MoS2 filled Nylon 6 (Nylatron) |
| Drive keypad/HMI | Polyester |
| Pumphead front back plates | Aluminium |
| Drive rear blanking plate | Stainless steel 316 |
| Pumphead body assembly | Aluminium |
| Pumphead roller assembly | MoS2 filled Nylon 6 (Nylatron) |
| Pumphead rotor assembly | Aluminium, Stainless steel |
| Pumphead track | Aluminium |
| Spindles | Stainless steel |
| Springs | Stainless steel |
| Switch-plate | ABS PA-765 |

Information listed covers the complete range.

For detailed specifications of individual models/components refer to user manual or contact WMFTS representative.

730 Drive with 720R pumphead dimensions



| | Dimension A |
|------|--------------------|
| 720R | 279 mm (11") |

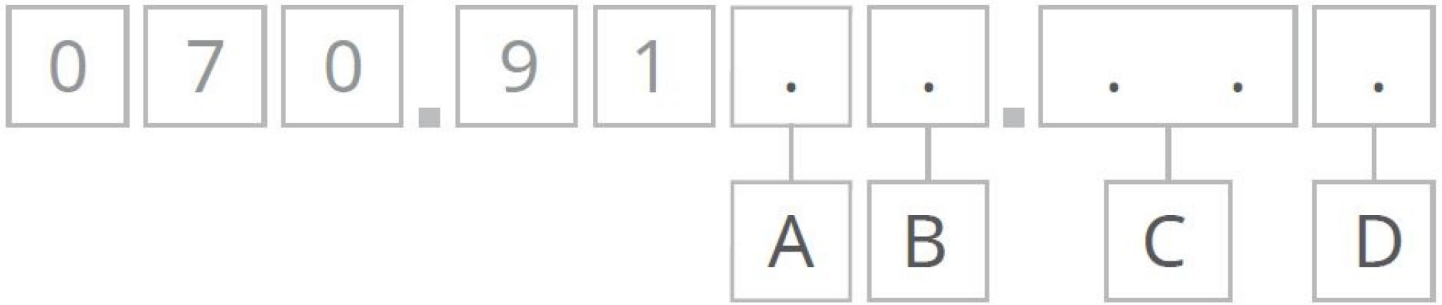
Control options

| Key to pump drive models | | | | | | | | | |
|--|--------------------------|----------------------------------|------------------------------------|----------------------------------|--|------------------------------|----------------------------|--------|---|
| 730SN | 730UN | 730DuN | 730BpN | 730US | 730DuS | 730EnN | 730PnN | | |
| Standard IP66 / NEMA 4X | Universal IP66 / NEMA 4X | Digital Universal IP66 / NEMA 4X | Bus Pump / Profibus IP66 / NEMA 4X | Universal SCADA / IP66 / NEMA 4X | Digital Universal SCADA / IP66 / NEMA 4X | EtherNet/IP / IP66 / NEMA 4X | PROFINET® / IP66 / NEMA 4X | | |
| Manual control | | | | | | | | | |
| Pump drives | 730SN | 730UN | 730DuN | 730BpN | 730US | 730DuS | 730EnN | 730PnN | |
| Intuitive keypad and colour display | ✓ | ✓ | ✓ | ✓ | ✓ | ✓ | ✓ | ✓ | ✓ |
| Choice of flowrate or speed display | ✓ | ✓ | ✓ | ✓ | ✓ | ✓ | ✓ | ✓ | ✓ |
| Full calibration with choice of flow units | ✓ | ✓ | ✓ | ✓ | ✓ | ✓ | ✓ | ✓ | ✓ |
| MemoDose function | ✓ | ✓ | ✓ | | ✓ | ✓ | | | |
| Auto restart facility | ✓ | ✓ | ✓ | ✓ | ✓ | ✓ | ✓ | ✓ | ✓ |
| Guard switch detection | ✓ | ✓ | ✓ | ✓ | ✓ | ✓ | ✓ | ✓ | ✓ |
| Leak detection | | ✓ | ✓ | ✓ | ✓ | ✓ | ✓ | ✓ | ✓ |
| Dispensing (Network Control) | | | | | | | | | |
| Remote control | | | | | | | | | |
| Pump drives | 730SN | 730UN | 730DuN | 730BpN | 730US | 730DuS | 730EnN | 730PnN | |
| Configurable Start/Stop and leak detector, via contact closure or 5V TTL or 24V industrial logic** | | ✓ | ✓ | | | | ✓ | ✓ | ✓ |
| Configurable start/stop, leak detector and pressure switch input (via 110 V industrial logic) | | | | | | ✓ | ✓ | | |
| Direction change and auto/manual toggle input (via contact closure or 5 V TTL to 24 V) | | ✓ | ✓ | | | | | | |
| Direction change and auto/manual toggle input (via 110 V industrial logic) | | | | | | ✓ | ✓ | | |
| Remote operation of MemoDose (foot/hand-switch or logic input) | | ✓ | ✓ | | | ✓ | ✓ | | |
| Four configurable digital status outputs through 24 V, 30 W relays | | ✓ | ✓ | | | | | | |
| Four configurable digital status outputs through 110 V relays | | | | | | ✓ | ✓ | | |
| Remote pressure/flow sensors | | | | | | | | ✓ | ✓ |
| Analogue speed control | | | | | | | | | |
| Pump drives | 730SN | 730UN | 730DuN | 730BpN | 730US | 730DuS | 730EnN | 730PnN | |
| Fully configurable inputs; 0-10 V or 4-20 mA | | ✓ | ✓ | | ✓ | ✓ | | | |
| Analogue outputs; 0-10 V, 4-20 mA | | ✓ | ✓ | | ✓ | ✓ | | | |
| Keypad/analogue input scaling (replacement of diaphragm pumps) | | | ✓ | | | ✓ | | | |
| Tacho frequency output; 0-1478 Hz | | ✓ | ✓ | | | | | | |
| 2x sensor inputs 4-20 mA or 0-1000Hz* | | | | | | | ✓ | ✓ | |
| Security | | | | | | | | | |
| Pump drives | 730SN | 730UN | 730DuN | 730BpN | 730US | 730DuS | 730EnN | 730PnN | |
| 3-level security PIN lock | ✓ | ✓ | ✓ | ✓ | ✓ | ✓ | ✓ | ✓ | ✓ |
| Network communication | | | | | | | | | |
| Pump drives | 730SN | 730UN | 730DuN | 730BpN | 730US | 730DuS | 730EnN | 730PnN | |
| RS485 network control | | | ✓ | | | ✓ | | | |
| Digital pump commands (Profibus / EtherNet/IP) | | | | | | | | | |
| Pump drives | 730SN | 730UN | 730DuN | 730BpN | 730US | 730DuS | 730EnN | 730PnN | |
| PROFIBUS® DP V0 | | | | ✓ | | | | | |
| PROFINET® (CC-B & Netload Class III) | | | | | | | | ✓ | |
| EtherNet/IP™ | | | | | | | ✓ | | |
| Communication speeds from 9.6 kbits/s up to 12000 kbits/s | | | | | ✓ | | | | |
| Network speed: 10/100 Mbps - Full Duplex Operation | | | | | | | ✓ | | |
| Network speed: 100 Mbps - Full Duplex Operation | | | | | | | | ✓ | |
| Auto-detect bus speed | | | | ✓ | | | | | |
| Speed set point | | | | ✓ | | | ✓ | ✓ | |
| Speed feedback | | | | ✓ | | | ✓ | ✓ | |
| Flow calibration function | | | | ✓ | | | ✓ | ✓ | |
| Hours run | | | | ✓ | | | ✓ | ✓ | |
| Revolution counter | | | | ✓ | | | ✓ | ✓ | |
| Leak detection | | | | ✓ | | | ✓ | ✓ | |
| Low fluid level alarm | | | | ✓ | | | ✓ | ✓ | |
| Diagnostic feedback | | | | ✓ | | | ✓ | ✓ | |
| Flow Totaliser | | | | | | | ✓ | ✓ | |
| Sensor scaling | | | | | | | ✓ | ✓ | |
| Dispensing (Network Control) | | | | | | | | | |

*Range of 3rd party pressure/flow sensors supported—see compatible sensor list on www.wmfts.com/literature

**If you can't see the option you need, contact the engineered products team at WMFTS to discuss

Product codes



| A | B | C | D |
|--|---|--|--|
| Model | Ingress Protection | Pumphead | Plug options |
| 3: S 4: U 5: Du 6: Bp 8: En 9: Pn | N: IP66/ NEMA 4X S: SCADA IP66/ NEMA 4X ^{1,2} | 00: 720R E0: 720RE X0: 720R/RX EX: 720RE/RX | A: American mains plug B: Brazilian mains plug C: Swiss mains plug D: India/ South Africa mains plug E: EU mains plug K: Australia mains plug R: Argentina mains plug U: UK mains plug Z: China mains plug |

Notes:

1. U and Du models only
2. Only available with American mains plug

Disclaimer: All flow rates shown were obtained pumping water at 20 °C (68 °F) with zero suction and delivery heads. The information contained in this document is believed to be correct but Watson-Marlow Limited accepts no liability for any errors it contains and reserves the right to alter specifications without notice. It is the user's responsibility to ensure product suitability for use within their application. Watson-Marlow, LoadSure, Pumpsil, PureWeld XL, Bioprene, Marprene are registered trademarks of Watson-Marlow Limited. Tri-Clamp is a registered trademark of Alfa Laval Corporate AB. GORE and STA-PURE are registered trademarks of W.L. Gore and Associates. Please state the product code when ordering pumps and tubing.



wmfts.com/global
16 March 2026