

323 Drive with 501RL2 pumphead

300 series cased pump

Features and benefits

- Manual or remote 4 mA to 20 mA or 0 V to 10 V analogue auto-control or RS232 control commands
- Up to 133:1 enhanced digital manual speed control
- Keypad lock prevents tampering or accidental changes
- MemoDose facility for accurate single-shot dosing
- Digital TTL inputs for run/stop and direction
- Instantly reversible
- Two-year warranty



Technical specifications

	323 Drive with 501RL2 pumphead
Pumphead number of channels	1
Speed control ratio	147:1
Operating speed	1.5 rpm to 200 rpm
Operating temperature	5 °C to 40 °C (40 °F to 104 °F)
Weight	5.6 kg (12.3 lbs)
Drive control options	U
Standards	CE, cETLus
Drive ingress protection	IP31
Drive humidity	80 % up to 31 °C, 88 °F, decreasing linearly to 50 % at 40 °C, 104 °F
Drive noise	<70dB(A) at 1m
Max. altitude	2000 m (6562 ft)
Drive power supply	1ph, 100 V to 120 V, 220 V to 240 V 50/60 Hz, 100 VA
Compatible tubing bore size	1.6, 3.2, 4.8, 6.4, 8 mm
Compatible tubing wall thickness	2.4 mm

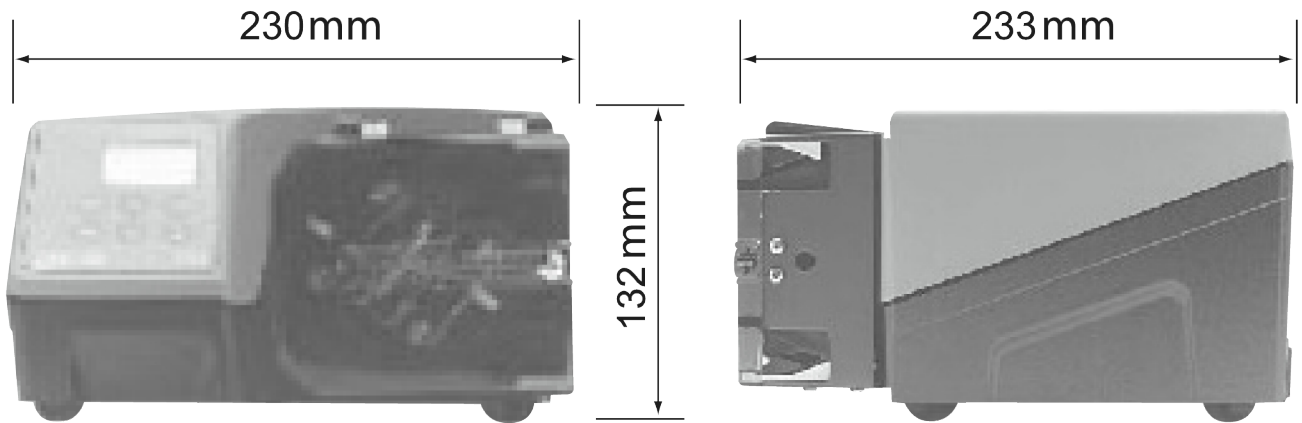
Materials of construction

	323 Drive with 501RL2 pumphead
Drive casework	Acrylonitrile butadiene styrene (ABS), Powder coated aluminium LM24
Guide roller assembly	Delrin
Pumphead body assembly	Polycarbonate (PC)
Pumphead guard	Polycarbonate (PC)
Pumphead rotor assembly	Mazak, chromium plated
Spindles	Stainless steel
Springs	Stainless steel
Tube clamp assembly	Acetal copolymer (Kematal)

Information listed covers the complete range.

For detailed specifications of individual models/components refer to user manual or contact WMFTS representative.

323 Drive with 501RL2 pumphead dimensions



Control options

Functionality	323E	323S	323U	323Du
Manual control				
Keypad speed control	✓	✓	✓	✓
15-400rpm 27:1 speed control	✓			
3-400rpm 133:1 speed control		✓	✓	✓
1.5-220rpm 147:1 speed control		✓	✓	✓
MemoDose for accurate single shot dosing		✓	✓	✓
Remote control				
Run/Stop, direction change via contact closure or 5V TTL			✓	✓
Remote operation of MemoDose (hand/foot switch)			✓	✓
Analogue speed control				
Inputs; 0-10V or 4-20mA			✓	✓
RS232 digital communication				
Digital serial control				✓
Security				
Keypad lock to protect set-up		✓	✓	✓

Product codes

Pumpheads product codes		
Description	Partcode	
501RL2 pumphead for 2.4 mm wall tube	053.0001.L20	

* Replace last 0 with A, E or U for American, European or UK mains supply (American 110 V 1ph 60 Hz)

If required for use with STA-PURE tubing, please contact Watson-Marlow Bredel technical support for drive and pumphead selection

Tubing product codes			
Bore/wall (mm)	Bioprene	Marprene	Pumpsil™
1.6 / 2.4	933.0016.024	902.0016.024	913.A016.024
3.2 / 2.4	933.0032.024	902.0032.024	913.A032.024
4.8 / 2.4	933.0048.024	902.0048.024	913.A048.024
6.4 / 2.4	933.0064.024	902.0064.024	913.A064.024
8.0 / 2.4	933.0080.024	902.0080.024	913.A080.024
Bore/wall (mm)	STA-PURE®Series PCS	STA-PURE®Series PFL	
1.6 / 2.4	961.0016.024	966.0016.024	
3.2 / 2.4	961.0032.024	966.0032.024	
4.8 / 2.4	961.0048.024	966.0048.024	
6.4 / 2.4	961.0064.024	966.0064.024	
8.0 / 2.4			

Disclaimer: All flow rates shown were obtained pumping water at 20 °C (68 °F) with zero suction and delivery heads. The information contained in this document is believed to be correct but Watson-Marlow Limited accepts no liability for any errors it contains and reserves the right to alter specifications without notice. It is the user's responsibility to ensure product suitability for use within their application. Watson-Marlow, LoadSure, Pumpsil, PureWeld XL, Bioprene, Marprene are registered trademarks of Watson-Marlow Limited. Tri-Clamp is a registered trademark of Alfa Laval Corporate AB. GORE and STA-PURE are registered trademarks of W.L. Gore and Associates. Please state the product code when ordering pumps and tubing.



wmfts.com/global
24 February 2026