

SPS 500

SPS process pump

Features and benefits

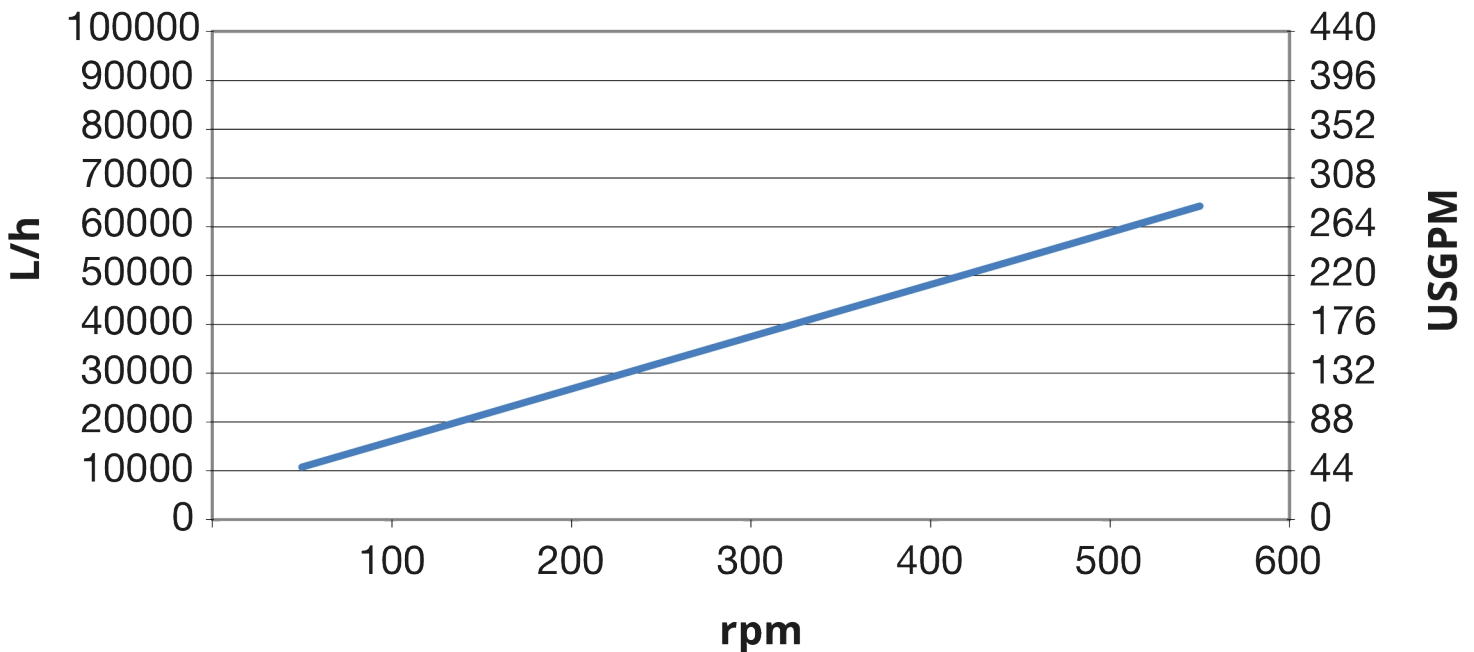
- Low shear transfer pump, with flow up to 69120 L/h at pressures up to 15 bar
- Superior viscous handling
- Consistent flow with high suction capability up to 0.85 bar
- Flexible configuration of housing, nozzle type, size orientation, drive and baseplate
- Hygienic CIP and SIP capability
- FDA and EC 1935/2004 compliance
- Operating temperatures up to 180 °C
- 20-year guarantee on front cover and pump housing



SPS 500 performance

Performance curves

These performance curves show the theoretical flow without consideration of slip



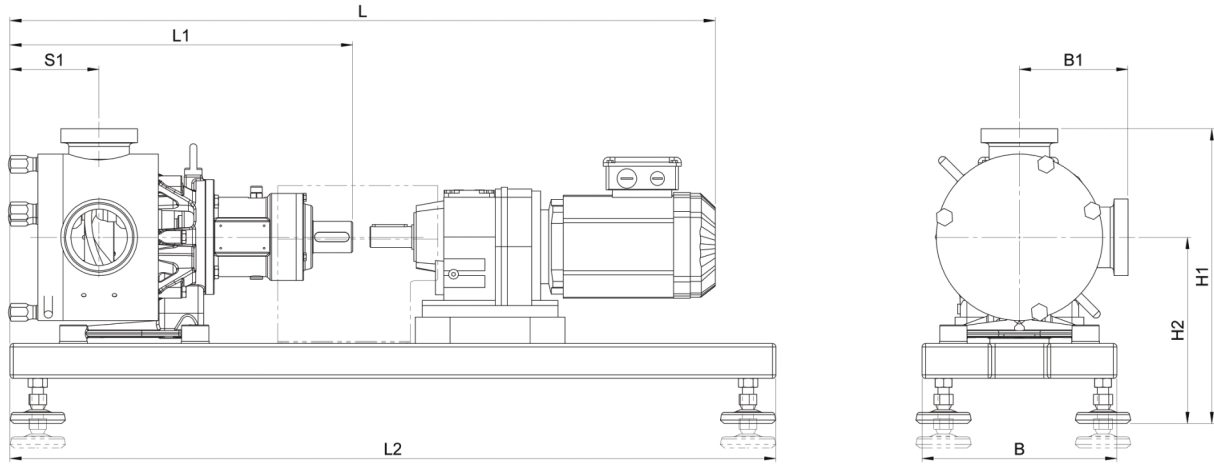
Technical specifications

| | SPS 500 |
|------------------------------|---|
| Volume per revolution | 1.92 l (0.505 USG) |
| Max. particle size | 50 mm (1.97 in) |
| Suction pressure | 85% of a vacuum |
| Max. operating pressure | 15 bar (217 psi) |
| Operating temperature | -20 °C to 180 °C (-4 °F to 356 °F) |
| Standards | ATEX |
| Certification and compliance | EC 1935/2004, FDA |
| Port orientation | Various options to meet your requirements |
| Port type | Flange, Milk fitting, RJT, SMS, TC |
| Shaft diameter | 50 mm (1.97 in) |
| Shaft height | 235 mm (9.25 in) |

Materials of construction

| | SPS 500 |
|-----------------|--|
| Housing | Stainless steel 1.4404, Stainless steel 316L |
| Bearing frame | Stainless steel 1.4301, Stainless steel 304 |
| Rotor | Stainless steel 1.4404, Stainless steel 316L |
| Gate and liners | Polyamide |
| Seals/gaskets | EPDM, FFKM, FKM, NBR, PTFE |

SPS 500 dimensions



| Model | L | | L1 | | L2 | | S1 | | B | | B1 | | H1 | | H2 | | | | | | | | | |
|---------|------|------|------|------|-----|------|------|------|------|------|------|------|------|------|------|------|-----|------|-----|------|-----|------|-----|------|
| | min. | max. | | | | | | | min. | max. | min. | max. | min. | max. | min. | max. | | | | | | | | |
| | mm | inch | mm | inch | mm | inch | mm | inch | mm | inch | mm | inch | mm | inch | mm | inch | mm | inch | | | | | | |
| SPS 500 | 1300 | 51.2 | 1640 | 64.6 | 659 | 25.9 | 1300 | 51.2 | 131 | 5.16 | 380 | 15 | 212 | 8.35 | 235 | 9.25 | 560 | 22 | 623 | 24.5 | 348 | 13.7 | 388 | 15.3 |

Disclaimer: All flow rates shown were obtained pumping water at 20 °C (68 °F) with zero suction and delivery heads. Disclaimer: The information contained in this document is believed to be correct but Watson-Marlow Limited accepts no liability for any errors it contains and reserves the right to alter specifications without notice. Watson-Marlow, MasoSine, Qdos, ReNu, LoadSure, Bioprene, Pumpsil and Marprene are trademarks of Watson-Marlow Limited. STA-PURE PFL® and STA-PURE PCS® are registered trademarks of W.L Gore & Associates Inc. Please state the product code when ordering pumps and tubing.



wmfts.com/global
28 October 2025