

Bredel Heavy Duty 265



Hose Pumps

Bredel Heavy Duty pumps

Features and benefits

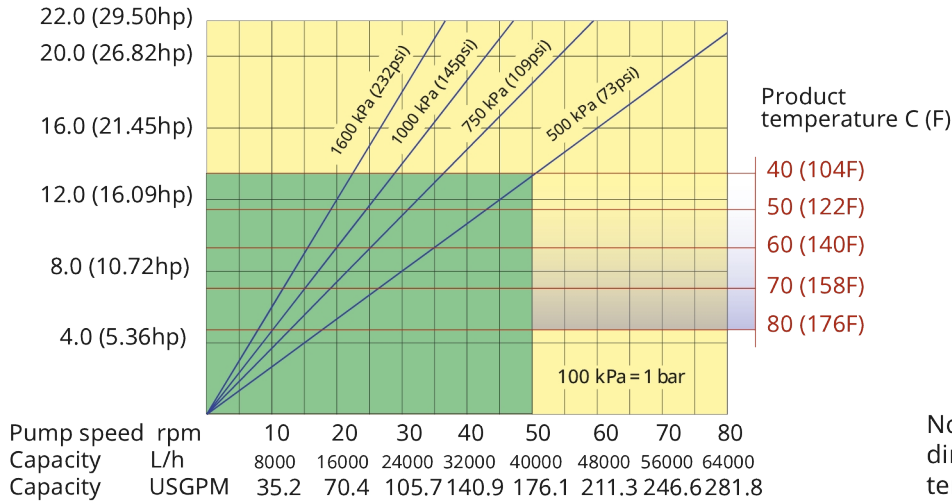
- Heavy duty bearings: provide improved lifetime when pumping high-solid content slurries
- Window guard: extra protection for the inspection window
- Reinforced brackets: more robust design, less risk of lubricant leakage, easier maintenance
- C4H paint: enhanced durability in highly corrosive environments



Bredel Heavy Duty 265 performance

Bredel 265

Required motor power kW (hp)



Note: The area of continuous operation diminishes with increased product temperatures. For product temperatures >40C, the area of continuous operation reduces to the corresponding red temperature line.

1. Flow required indicates pump speed
2. Calculated discharge pressure
3. Net motor power required
4. Product temperature
5. Calculated discharge pressure
6. Maximum recommended pump speed

- Continuous duty
- Intermittent duty

* Maximum 3 hours operation followed by minimum 1 hour stop

Technical specifications

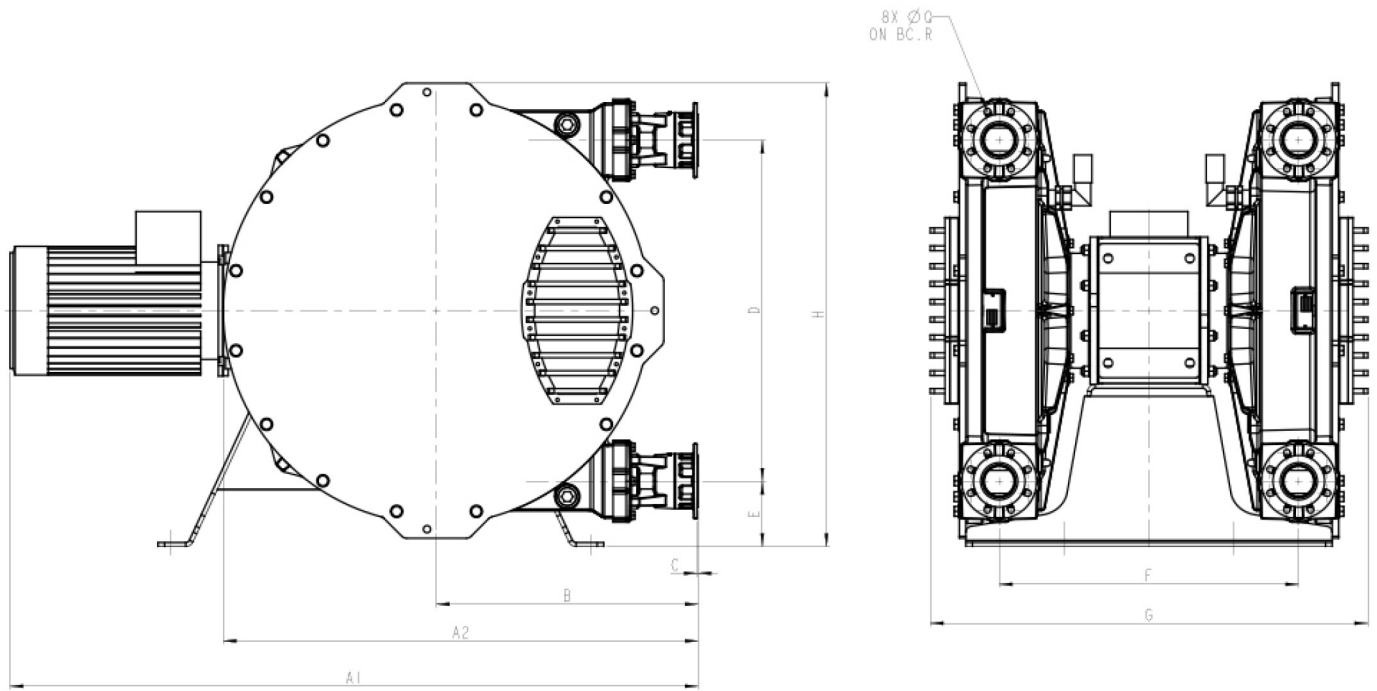
	Bredel Heavy Duty 265
Max. flow rate continuous	10607 USGPH (40200 L/h)
Max. flow rate intermittent	16971 USGPH (64320 L/h)
Volume per revolution	3.54 USG (13.4 l)
Max. continuous operating speed	50 rpm
Max. intermittent operating speed	80 rpm
Max. operating pressure	232 psi (16 bar)
Max. inlet pressure	30 psi abs (2 bar abs)
Max. suction capability	374 inWC (9.5 mWC)
Suction capability (80% Flow rate)	315 inWC (8 mWC)
Operating temperature	-4 °F to 113 °F (-20 °C to 45 °C)
Fluid temperature	-4 °F to 176 °F (-20 °C to 80 °C)
Min. starting torque	17701.5 in.lbs (2000 N m)
Weight	6439 lbs (2920 kg)
Heavy Duty bracket weight	13.5 kg
Heavy Duty bracket weight	29.8 lbs
Window guard weight	11.3 lbs (5.1 kg)
Hose lubricant required	10.57 USG (40 l)
Port configurations	Down, Left, Right, Up
Heavy Duty support frame weight	Heavy duty bearings or 3 std bearings
Compatible hose materials	CSM, EPDM, F-NBR, NBR, NBR for food, NR-Metering, NR-Transfer
Flange assembly type	ANSI, DIN, JIS

Please consult your Bredel representative for lower or higher temperature operation.
Allowable ambient temperature is based on pump capabilities and may be further limited by gearbox ambient capabilities.

Materials of construction

	Bredel Heavy Duty 265
Hose material	CSM, EPDM, F-NBR, NBR, NBR for food, NR Endurance, NR-Transfer
Housing	Cast iron, ISO12944 category C4H, ISO12944 category C4M, ISO12944 category C5M
Rotor assembly	Cast iron, ISO12944 category C4M
Cover assembly	Cast iron, ISO12944 category C4M
Brackets and fasteners	Cast iron, Galvanized steel, ISO12944 category C4M, Stainless steel 316
Support frame	Galvanized steel, ISO12944 category C4H, ISO12944 category C5M, Stainless steel 316
Coupling bush	Alloy steel
Seals	Neoprene, Nitrile, Thermoplastic polyurethane
	ISO12944 category C4H, Steel

Bredel Heavy Duty 265 dimensions



Type	A1	A2	B	C	D	E	F	G	H	ØQ	R
Bredel 265 (mm)	*	1105	570	3	746	152	720	1033	1036	18	145
Bredel 265 (inches)	*	43.5	22	0.12	29.4	5.99	28.3	40.7	40.8	0.71	5.7

Disclaimer: The information contained in this document is believed to be correct at the time of publication, but Watson-Marlow Bredel BV accepts no liability for any error it contains, and reserves the right to alter specifications without prior notice. All mentioned values in this document are values under controlled circumstances at our test bed. Actual flow rates achieved may vary because of changes in temperature, viscosity, inlet and discharge pressures and/or system configuration. APEX, DuCoNite, Bioprene and Bredel are registered trademarks.



wmfs.com/global
22 August 2025