

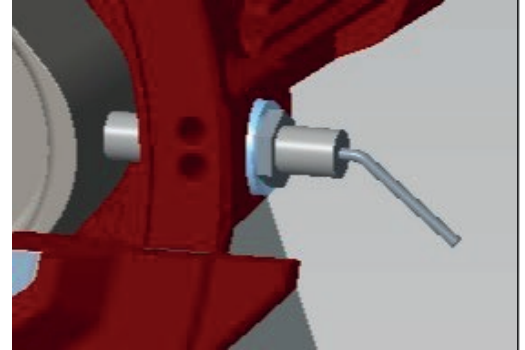
# Revolution counter for APEX 10-35 and Bredel 10-2100 pumps

## ACCESSORIES

### FEATURES AND BENEFITS

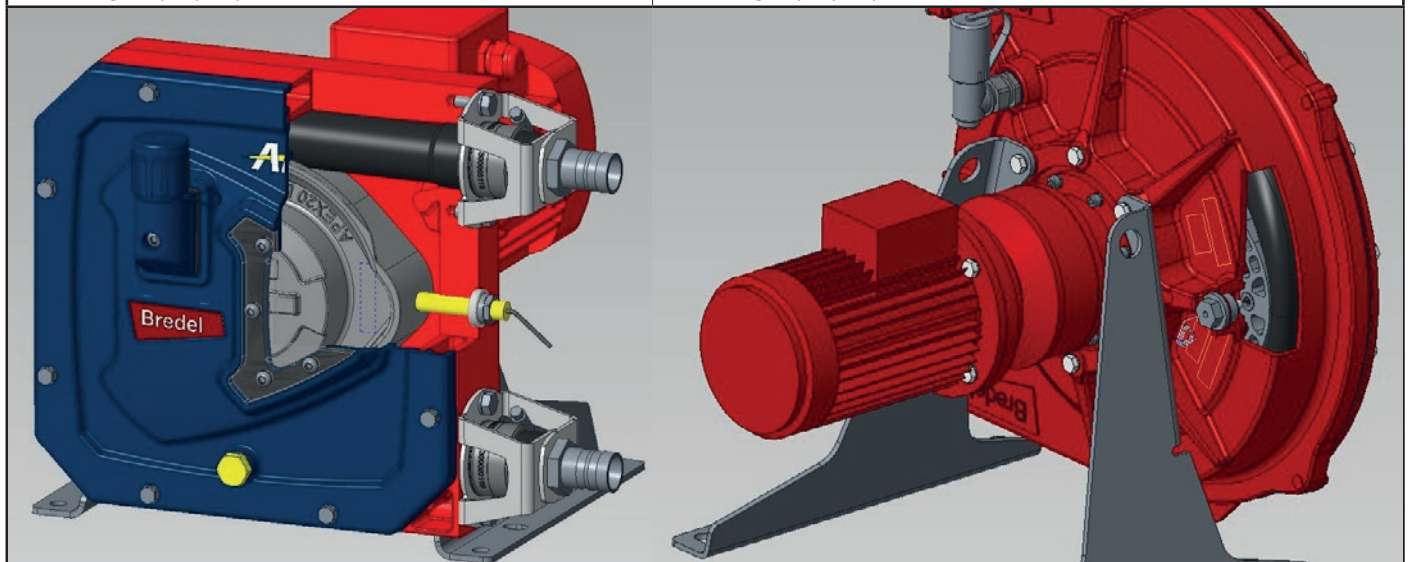
- Sensor for precise monitoring of the pump speed
- Schedule maintenance based on number of hose occlusions
- Can be connected to a process control system

### Bredel Hose Pumps



### CONSTRUCTION

APEX10-35 and Bredel 10-20	Bredel 25-2100
Requires modification of the pump housing	Requires modification of one of the rotor's pressing shoes
Inductive proximity sensor installed between the pump ports	Magnet-inductive proximity sensor installed at the backside of the pump housing
Precisely adjusted for non-contact detection of the movement of the rotor's integral shoes	Precisely adjusted for non-contact detection of the movement of one of the rotor's pressing shoes
Allows 2 signals per pump revolution	Allows 1 signal per pump revolution



## TECHNICAL SPECIFICATIONS

	APEX10-20	APEX28-35 and Bredel 10-20	Bredel 25-2100
Type*:	Inductive proximity sensor	Inductive proximity sensor	Magnet-inductive proximity sensor
	*For use in non-explosive atmospheres; For ATEX selection please consult your local Bredel sales representative		
Function principle:	Non-contact detection of the movement of the rotor's integral shoes		Non-contact detection of the movement of a permanent magnet in one of the pressing shoes
Operating voltage:	10-30 V DC	10-65 V DC	10-30 V DC
Operational current:	≤ 200 mA		≤ 150 mA
Switch state display	Yellow LED		
Signals per pump revolution	2		1
Connection cable:	Ø 5.2 mm (0.2"), LifYY, PVC, length 2 m (78.7"), cross section 3 x 0.34 mm <sup>2</sup> (22 AWG)	Ø 5.2 mm (0.2"), LifYY, PVC, length 2 m (78.7"), cross section 4 x 0.34 mm <sup>2</sup> (22 AWG)	Ø 4 mm (0.16"), LifYY-11Y, PUR, length 2 m (78.7"), cross section 3 x 0.25 mm <sup>2</sup> (22 AWG)
Degree of protection:	IP68		IP67
Dimensions sensor:	M12x1 L=54 mm (L=2.13 inch)	M12x1 L=64 mm (L=2.52 inch)	M8x1 L=42 mm (L=1.65inch)
Electrical connection:	<p>BN = Brown (+) BU = Blue (-) BK = Black - signal, normally open PNP= Transistor WH = White - signal, normally closed</p>		

## MATERIALS OF CONSTRUCTION

	APEX10-20	APEX28-35 and Bredel 10-20	Bredel 25-2100
Sensor housing:	Plastic, PBT-GF20-V0	Steel 1.4301 (AISI 304)	Steel 1.4301 (AISI 304)
Active area:	Plastic, PBT-GF20-V0	Plastic, PBT	Plastic, PA12-GF20
End cap:	Plastic, EPTR	Plastic, EPTR	Plastic, PP
Cable exterior:	Plastic, PVC	Plastic, PVC	Plastic, PUR
Seal ring between nut/plug and pump housing:	Plastic, PA6	Plastic, PA6	Fiber

## ORDERING CODES AND SELECTION OPTIONS

For ordering a pump with revolution counter fitted, please add to the pump description 'Fitted option: revolution counter'. For replacing existing revolution counter please see the corresponding pump manual.  
For upgrading existing pump with a revolution counter please contact your Bredel representative.

The information contained in this document is believed to be correct at the time of publication, but Watson-Marlow Bredel BV accepts no liability for any error it contains, and reserves the right to alter specifications without prior notice. All mentioned values in this document are values under controlled circumstances at our test bed. Actual flow rates achieved may vary because of changes in temperature, viscosity, inlet and discharge pressures and/or system configuration. APEX, DuCoNite, Bioprene and Bredel are registered trademarks.

**Bredel**  
Hose Pumps

wmftg.com  
+44 (0)1326 370 370  
info@wmftg.com