

Process valves

Process valves

Features and benefits

- 90 degree process valve drains completely in three mounting positions including upside down
- Fully CIP/SIP capable for efficient cleaning and sterilizing
- Designed to easily fit into tight piping areas
- Assemblies with a Tri-Clover(R) Clamp, enabling diaphragm change-outs in under a minute
- Integral travel stops that never need adjusting
- Available valve sizes: 0.5", 1.0", 1.5", 2.0", 3.0", and 4.0"



Performance

Process valve flow rates		
Size	Cv at 1 psi (0.07 bar)	
inches	LPM	GPM
0.50	10.2	2.7
1.00	59.8	15.8
1.50	180	48
2.00	272	72
3.00	643	170
4.00	1143	302

Technical specifications

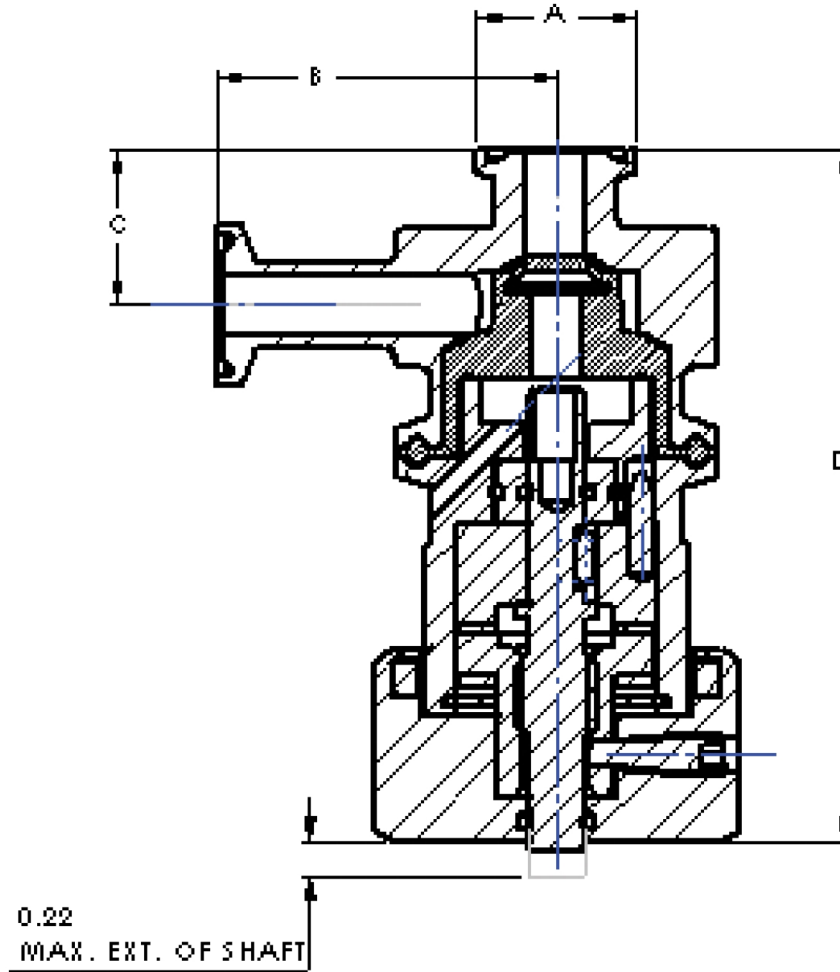
	Process valves
Mounting type	Flush
Flow rate	10.2 - 1,143 l/m
Flow rate	2.7 - 302 USGPM
Sizes	0.5", 1.0", 1.5", 2.0", 3.0", 4.0"
Outlet connections	Buttweld, Sanitary flange
Max. operating pressure	250 psi (17 bar)
Operating temperature	-60 °F to 500 °F (-51 °C to 260 °C)
Compatible actuators	Compact pneumatic, Fail closed, Fail open, Manual
Compatible diaphragms	EPDM, PTFE, Silicone, Silicone plus, Viton
Surface finish options	Electropolished, Max 10 micro-inch Ra (0.25 µm Ra), Max 15 micro-inch Ra (0.375 µm Ra), Max 20 micro-inch Ra (0.5 µm Ra)
Certification and compliance	ISO 9001
Standards	ASME BPE, CE-PED
Weight	1.45 - 18.14 lbs (0.66 - 8.25 kg)

Temperature range depends on diaphragm material.

Materials of construction

	Process valves
Material	Hastelloy C22, Hastelloy C276, Polypropylene, Stainless steel 316L, Stainless steel AL-6XN

Process valves dimensions



Size*	A		B		C		D - with Manual Actuator		D - with Pneumatic Actuator	
inches	mm	in	mm	in	mm	in	mm	in	mm	in
0.50	24.89	0.98	52.83	2.08	24.38	0.96	107.95	4.25	128.78	5.07
1.00	50.29	1.98	64.26	2.53	32.00	1.26	133.35	5.25	173.99	6.85
1.50	50.29	1.98	85.09	3.35	51.05	2.01	186.44	7.34	206.50	8.13
2.00	64.01	2.52	82.55	3.25	44.70	1.76	186.44	7.34	206.50	8.13
3.00	90.93	3.58	95.50	3.76	57.40	2.26	211.84	8.34	270.76	10.66
4.00	118.87	4.68	117.35	4.62	90.17	3.55	283.72	11.17	382.02	15.04

Weights

Size	Valve Body		Total Weight with Manual Actuator		Total Weight with Pneumatic Actuator	
	kg	lb	kg	lb	kg	lb
0.50	0.66	1.45	1.59	3.50	1.45	3.20
1.00	1.34	2.95	3.25	7.15	3.64	8.00
1.50	2.68	5.90	5.66	12.45	6.48	14.25
2.00	2.81	6.18	5.79	12.73	6.60	14.53
3.00	4.98	10.95	8.16	17.95	15.77	34.70
4.00	8.25	18.14	16.65	36.64	33.43	73.54

Product codes

Disclaimer: The information contained in this document is believed to be correct but ASEPCO accepts no liability for any errors it contains and reserves the right to alter specifications without notice. It is the users responsibility to ensure product suitability for use within their application. Radial diaphragm is a trademark of ASEPCO Corporation. Tri-Clamp is a registered trademark of Alfa Laval Corporate AB. A member of Watson-Marlow Fluid Technology Group, A Spirax-Sarco Engineering plc company.



wmfts.com/global
14 July 2025