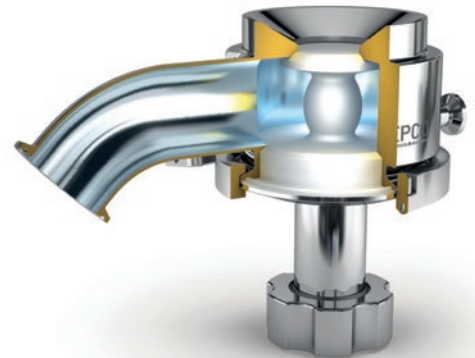


Weirless Radial diaphragm™ tank-bottom valve

FEATURES AND BENEFITS

- Patented radial diaphragm, eliminates entrapment for easy cleaning
- Simple Tri-Clamp assembly makes maintenance 80% faster
- Truly flush mount design with no gaskets, bolts or seams
- Integrated travel stops
- No readjustment or retightening
- Up to three ports for CIP/SIP or flushing while closed



TECHNICAL DATA

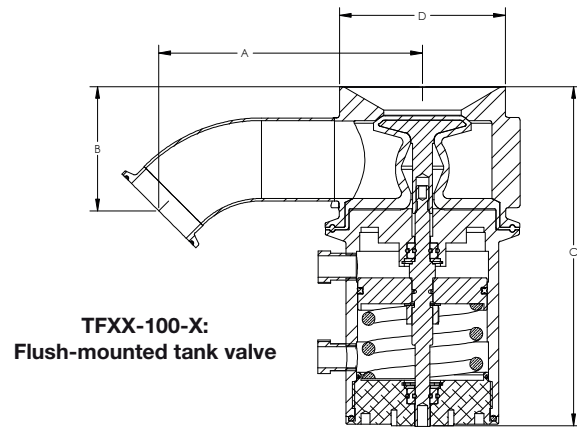
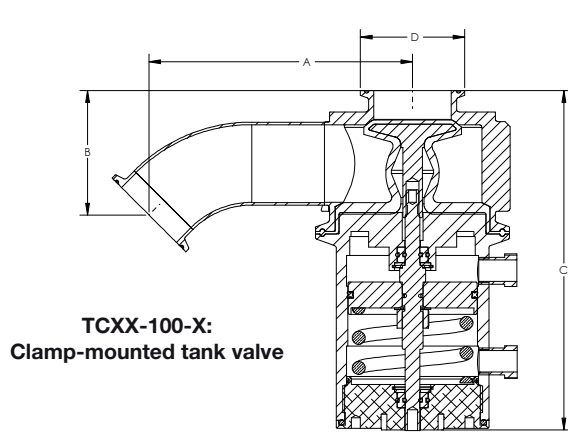
Valve bodies					
Material	316L, AL6XN, Hastelloy Machined from solid, hot-rolled, bar stock				
Surface finish options	Max. 20 micro-inch Ra (0.5 µm Ra), electropolished Max. 15 micro-inch Ra (0.375 µm Ra), electropolished Max. 10 micro-inch Ra (0.25 µm Ra), electropolished				
Sizes	0.5 inch, 1 inch, 1.5 inch, 2 inches, 2.5 inches, 3 inches, and 4 inches				
Outlet connections	Standard: Hygienic clamp, tube end, (others available)				
Maximum pressure	10 bar (150 psig)				
Maximum temperature	Varies from 135C (275F) to 200C (400F) depending on diaphragm material				
Marking	Each valve is serialised and marked for full material traceability				
ISO	All product and procedures are governed by our ISO Quality Assurance Program				
Standards	BPE, CE-PED, ASME				
Actuators					
Types	Manual or pneumatic Fail open or closed				
Material	304 stainless steel housing				
Sizes	0.5 inch, 1 inch, 1.5 inch, 2 inches, 3 inches, and 4 inches				
Diaphragms					
Materials	Silicone	Silicone Plus	EPDM	EPDM Plus	Viton
Temperature range	-51 to 135C (-60 to 275F)	-51 to 135C (-60 to 275F)	-35 to 135C (-30 to 275F)	-35 to 135C (-30 to 275F)	-20 to 204C (-4 to 400F)
Class	USP Class VI, 21 CFR 177.2600				
Parylene treatment	N/A	•	N/A	•	N/A

PERFORMANCE DATA

Flow rates	
Size inches	LPM (GPM)*
0.5	10.2 (2.7)
1.0	59.8 (15.8)
1.5	180.0 (48.0)
2.0	272.0 (72.0)
2.5	340.7 (90.0)
3.0	643.0 (170.0)
4.0	1143.0 (302.0)

*Flow rates based on water at 1 psi (0.07 bar) at ambient.

DIMENSIONS



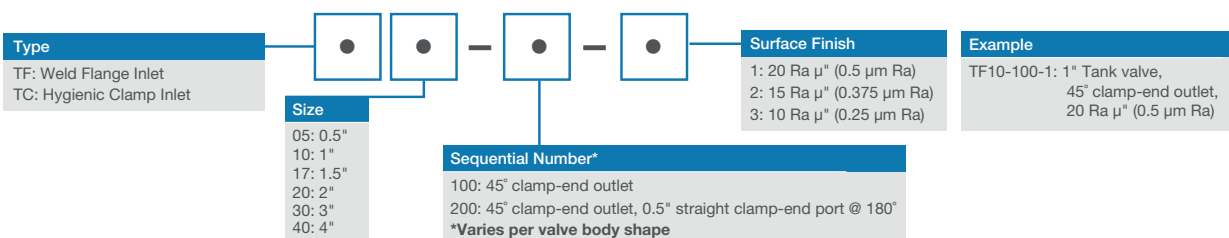
TCXX-100-X: Clamp-mounted tank valve					
Size inches	A mm (inch)	B mm (inch)	C - with pneumatic actuator mm (inch)	C - with manual actuator mm (inch)	D mm (inch)
0.5	87.0 (3.4)	56.0 (2.2)	129.0 (5.1)	108.0 (4.3)	25.0 (1.0)
1.0	113.0 (4.4)	52.0 (2.1)	173.0 (6.8)	148.0 (5.8)	50.0 (2.0)
1.5	132.0 (5.2)	64.0 (2.5)	187.0 (7.4)	146.0 (5.8)	50.0 (2.0)
2.0	162.0 (6.4)	76.0 (3.0)	208.0 (8.2)	186.0 (7.3)	64.0 (2.5)
2.5	N/A	N/A	N/A	N/A	N/A
3.0	200.0 (7.9)	100.0 (4.0)	271.0 (10.7)	212.0 (8.3)	91.0 (3.6)
4.0	243.0 (9.6)	146.0 (5.7)	381.0 (15.0)	284.0 (11.2)	119.0 (4.7)

TFXX-100-X: Flush-mounted tank valve					
Size inches	A mm (inch)	B mm (inch)	C - with pneumatic actuator mm (inch)	C - with manual actuator mm (inch)	D mm (inch)
0.5	87.0 (3.4)	56.0 (2.2)	129.0 (5.1)	108.0 (4.3)	50.0 (2.0)
1.0	113.0 (4.4)	52.0 (2.1)	173.0 (6.8)	148.0 (5.8)	76.0 (3.0)
1.5	132.0 (5.2)	64.0 (2.5)	187.0 (7.4)	146.0 (5.8)	76.0 (3.0)
2.0	162.0 (6.4)	76.0 (3.0)	208.0 (8.2)	186.0 (7.3)	102.0 (4.0)
2.5	192.0 (7.5)	101.0 (4.0)	271.0 (10.7)	212.0 (8.3)	125.0 (4.9)
3.0	200.0 (7.9)	100.0 (4.0)	271.0 (10.7)	212.0 (8.3)	125.0 (4.9)
4.0	243.0 (9.6)	146.0 (5.7)	381.0 (15.0)	284.0 (11.2)	178.0 (7.0)

WEIGHTS

Weights			
Size inches	Valve Body kg (lb)	Total Weight with Manual Actuator kg (lb)	Total Weight with pneumatic actuator kg (lb)
0.5	0.3 (0.6)	1.2 (2.7)	1.1 (2.4)
1.0	1.6 (3.6)	3.5 (7.8)	3.9 (8.7)
1.5	1.8 (3.9)	3.2 (7.1)	4.4 (9.7)
2.0	7.4 (16.4)	10.0 (23.0)	11.2 (24.7)
2.5	17.5 (38.6)	21.0 (45.6)	28.3 (62.3)
3.0	17.5 (38.6)	21.0 (45.6)	28.3 (62.3)
4.0	31.1 (68.6)	38.0 (83.8)	54.9 (121.0)

ORDERING INFORMATION



Disclaimer: The information contained in this document is believed to be correct but ASEPCO accepts no liability for any errors it contains and reserves the right to alter specifications without notice. It is the users responsibility to ensure product suitability for use within their application. Radial diaphragm is a trademark of ASEPCO Corporation. Tri-Clamp is a registered trademark of Alfa Laval Corporate AB.

ASEPCO

wmftg.com
info.asepco@wmftg.com
+1-650-691-9500