

# I-Sample valves

## I-Sample valves

### Features and benefits

- Diaphragm replacement can be completed in seconds
- Designed with through-the-chamber CIP/SIP via 1/4 inch to 1/2 inch ports, ensuring a truly representative sample every time
- USP Class VI EPDM or Silicone diaphragm
- Improved tank cleanability, because the diaphragm seals on the ID at the vessel wall
- Integral non-adjustable travel stops
- Replacement capabilities that can be completed in seconds
- Offers full drainability when installed in an Ingold™ port
- Designed with through-the-chamber CIP/SIP via 1/4-inch to 1/2-inch ports, ensuring a truly representative sample every time.



### Performance

Size inches	Cv at 1 psi (0.07 bar)	
	LPM	GPM
0.25 Fitting connections	4.66	1.23
0.50 Fitting connections	10.2	2.6

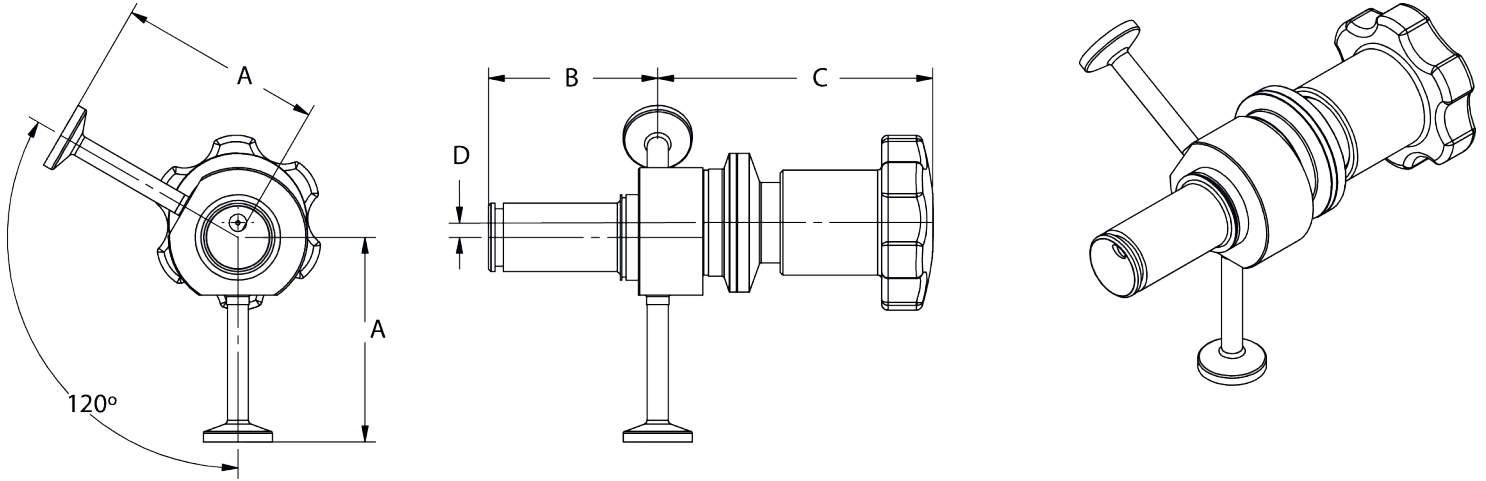
### Technical specifications

	I-Sample valves
Mounting type	Clamp-on Ingold connection, Threaded Ingold connection
Flow rate	4.66 - 10.2 l/m
Flow rate	1.23 - 2.6 USGPM
Sizes	0.5"
Inlet/outlet Connections	0.25" hygienic clamp, 0.25" tube end, 0.5" hygienic clamp, 0.5" tube end
Max. operating pressure ranges	10 bar (150 psi)
Operating temperature ranges	-51 °C to 135 °C (-60 °F to 275 °F)
Compatible actuators	Manual
Compatible diaphragms	EPDM, Silicone, Silicone plus
Surface finish options	Electropolished, Max 10 micro-inch Ra (0.25 µm Ra), Max 15 micro-inch Ra (0.375 µm Ra), Max 20 micro-inch Ra (0.5 µm Ra)
Certification and compliance	ISO 9001
Standards	ASME BPE
Weight ranges	0.55 kg (1.21 lbs)

### Materials of construction

	I-Sample valves
Material	Hastelloy C22, Hastelloy C276, Stainless steel 316L, Stainless steel AL-6XN

## I-Sample valves dimensions



Size	A		B		C		D		B + C (with Actuator)	
inches	mm	in	mm	in	mm	in	mm	in	mm	in
0.50 Clamp and Weld-in	74.2	2.92	61.5	2.42	99.8	3.93	5.3	0.21	161.3	6.35

## Weights

Size	Valve Body		Total Weight with Manual Actuator	
inches	kg	lb	kg	lb
0.50 Clamp and Weld-in	0.55	1.21	0.88	1.95

## Product codes

Size	Model number	Description
0.5	IS05-101-1	Radial valve 0.5" I-Sample EN 1.4435 body/EN1.4404 fittings 0.5" clamp-end outlet 3.1" from centerline Flush diaphragm & 0.5" clamp-end port 2.9" from centerline Flush diaphragm @ 120 20 micro-inch Ra surface finish electropolished and passivated includes body/actuator clamp
0.5	IS05-103-1	Radial valve 0.5" I-Sample 316L 0.5" clamp-end outlet 2.92" from centerline Centerline & 0.5" clamp-end port 2.96" from centerline Centerline @ 120 20 micro-inch Ra surface finish electropolished and passivated includes body/actuator clamp and adaptor collar
0.5	IS05-103-2	Radial valve 0.5" I-Sample 316L 0.5" clamp-end outlet 2.92" from centerline Centerline & 0.5" clamp-end port 2.96" from centerline Centerline @ 120 15 micro-inch Ra surface finish electropolished and passivated includes body/actuator clamp and adaptor collar
0.5	IS05-111-1	Radial valve 0.5" I-Sample EN 1.4435 body/EN1.4404 25mm threaded ingold inlet fittings 0.5" clamp-end outlet 2.885" from centerline Centerline 20 micro-inch Ra surface finish electropolished and passivated includes body/actuator clamp
0.5	S05-111-2	Radial valve 0.5" I-Sample EN 1.4435 body/EN1.4404 fittings 0.5" clamp-end outlet 2.885" from centerline Centerline 15 micro-inch Ra surface finish electropolished and passivated includes body/actuator clamp
0.5	IS05-112-1	Radial valve 0.5" I-Sample EN 1.4435 body/EN1.4404 fittings 0.5" 105° weld-end outlet Flush diaphragm 20 micro-inch Ra surface finish electropolished and passivated includes body/actuator clamp
0.5	IS05-112-2	Radial valve 0.5" I-Sample EN 1.4435 body/EN1.4404 fittings 0.5" 105° weld-end outlet Flush diaphragm 15 micro-inch Ra surface finish electropolished and passivated includes body/actuator clamp
0.5	IS05-116-1	Radial valve 0.5" I-Sample EN 1.4435 body/EN1.4404 fitting(s), 25mm ingold threaded collar inlet, 0.5" 45° clamp-end outlet Centerline & 0.5" 45° clamp-end port Centerline at 180° (unground weld(s), weld is polished to match interior finish) 20 micro-inch Ra surface finish electropolished and passivated includes body/actuator clamp
0.5	IS05-116-2	Radial valve 0.5" I-Sample EN 1.4435 body/EN1.4404 fitting(s), 25mm ingold threaded collar inlet, 0.5" 45° clamp-end outlet Centerline & 0.5" 45° clamp-end port Centerline at 180° (unground weld(s), weld is polished to match interior finish) 15 micro-inch Ra surface finish electropolished and passivated includes body/actuator clamp
0.5	IS05-118-1	Radial valve , 0.5" I-Sample, EN 1.4435 body/EN1.4404 fitting(s), 0.75" clamp-end outlet, 3.1" from centerline, Flush seat, & 0.75" clamp-end port, 3.1" from centerline, Flush seat @ 120, 20 micro-inch Ra surface finish, electropolished and passivated includes body/actuator clamp
0.5	IS05-118-2	Radial valve , 0.5" I-Sample, EN 1.4435 body/EN1.4404 fitting(s), 0.75" clamp-end outlet, 3.1" from centerline, Flush seat, & 0.75" clamp-end port, 3.1" from centerline, Flush seat @ 120, 15 micro-inch Ra surface finish electropolished and passivated includes body/actuator clamp

Note: for additional configurations, please contact Watson-Marlow.

Disclaimer: The information contained in this document is believed to be correct but ASEPCO accepts no liability for any errors it contains and reserves the right to alter specifications without notice. It is the users responsibility to ensure product suitability for use within their application. Radial diaphragm is a trademark of ASEPCO Corporation. Tri-Clamp is a registered trademark of Alfa Laval Corporate AB. A member of Watson-Marlow Fluid Technology Solutions, A Spirax-Sarco Engineering plc company.



wmfts.com/global  
13 October 2025