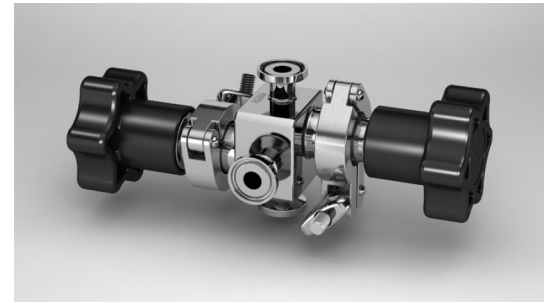


Block-and-bleed valves

Block-and-bleed valves

Features and benefits

- Easy to assemble and inspect
- Eliminates sources of contamination—reducing cleaning time
- Clean, self-draining design
- Block body design eliminates dead leg area
- Patented radial diaphragm, eliminates entrapment for easy cleaning
- Features a broad install angle with full drainability in multiple orientations



Block-and-bleed valves performance

Flow rates		
Size (inches)	Cv at 1 psi (0.07 bar)	
	LPM	USGPM
0.5 x 0.5	17.8	4.70
0.75 x 0.5	36	9.51
0.75 x 0.75	36	9.51

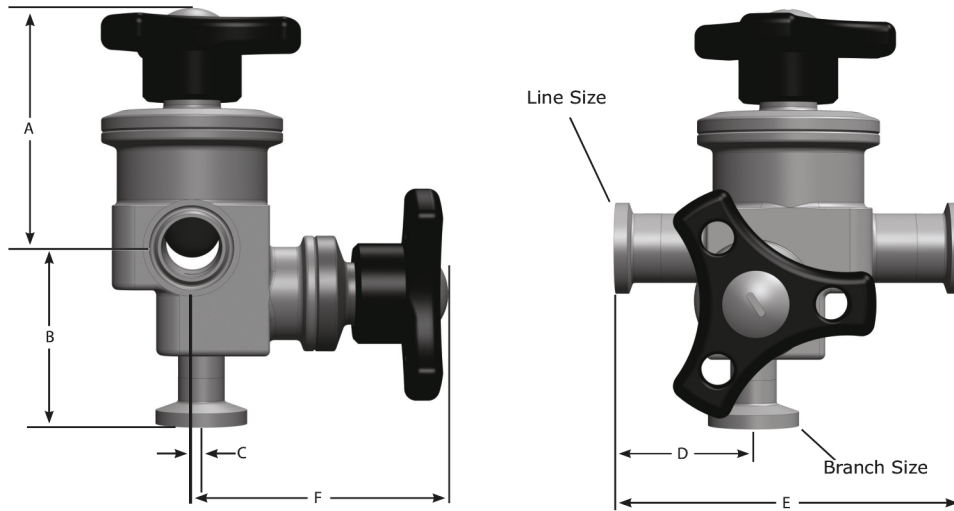
Technical specifications

	Block-and-bleed valves
Mounting type	Clamp, In-line
Flow rate	17.8 - 36 l/m
Flow rate	4.7 - 9.5 USGPM
Mounting sizes	0.5 in, 0.75 in, 1.0 in, 1.5 in
Inlet/outlet Connections	Hygienic clamp, Tube end
Max. operating pressure	10 bar (150 psi)
Operating temperature	-35 °C to 135 °C (-30 °F to 275 °F)
Compatible actuators	Fail closed, Fail open, Manual, Pneumatic
Compatible diaphragms	EPDM
Surface finish options	Electropolished, Max 10 micro-inch Ra (0.25 µm Ra), Max 15 micro-inch Ra (0.375 µm Ra), Max 20 micro-inch Ra (0.5 µm Ra)
Certification and compliance	ISO 9001
Standards	ASME BPE, CE-PED
Weight	0.68 - 2.5 kg (1.5 - 5.6 lbs)

Materials of construction

	Block-and-bleed valves
Material	Hastelloy, Stainless steel 316L, Stainless steel AL-6XN

Block-and-bleed valves dimensions



Block and bleed valve dimensions												
Line x Branch Size (inches)	A		B		C		D		E		F	
	mm	in	mm	in	mm	in	mm	in	mm	in	mm	in
0.5 x 0.5	110.5	4.35	43.2	1.70	0.0	0.00	31.5	1.24	69.9	2.75	67.3	2.65
0.75 x 0.5	114.8	4.52	48.8	1.92	2.5	0.10	38.1	1.50	95.2	3.75	69.9	2.75
0.75 x 0.75	133.4	5.25	67.3	2.65	0.0	0.00	41.4	1.63	94.0	3.70	65.5	2.58

Weights

Block and bleed valve weights				
Size (Inches)	Valve Body		Total Weight with Manual Actuator	
	kg	lb	kg	lb
0.5 x 0.5	0.68	1.50	1.20	2.60
0.75 x 0.5	1.00	2.2	2.80	6.20
0.75 x 0.75	2.50	5.60	4.20	9.30

Product codes

Model Code	Part Description
BC05-125-1	Weirless valve 0.5", Block & Bleed, 316L Clamp-end inlet, Clamp-end outlet, 2.75" Face-to-Face & 0.5" bleed valve with clamp-end outlet, 20 micro-inch Ra surface finish, electropolished and passivated, includes body/actuator clamp
BC08-125-1	Weirless valve 0.75", Block & Bleed, 316L Clamp-end inlet, Clamp-end outlet, 3.75" Face-to-Face & 0.5" bleed valve with clamp-end outlet, 20 micro-inch Ra surface finish, electropolished and passivated, includes body/actuator clamp
BC08-126-1	Weirless valve 0.75", Block & Bleed, 316L Clamp-end inlet, Clamp-end outlet, 3.75" Face-to-Face & 0.75" bleed valve with clamp-end outlet, 20 micro-inch Ra surface finish, electropolished and passivated, includes body/actuator clamp

Note: for additional configurations, please contact Watson-Marlow.

Disclaimer: The information contained in this document is believed to be correct but ASEPCO accepts no liability for any errors it contains and reserves the right to alter specifications without notice. It is the user's responsibility to ensure product suitability for use within their application. Radial diaphragm is a trademark of ASEPCO Corporation. Tri-Clamp is a registered trademark of Alfa Laval Corporate AB. A member of Watson-Marlow Fluid Technology Solutions, A Spirax-Sarco Engineering plc company.



wmfts.com/global
14 July 2025