

Sterile access valves

Sterile access valves

Features and benefits

- Patented radial diaphragm, eliminates entrapment for easy cleaning
- Configured to suit with clamp-end or weld-end connections, or a secondary valve
- Complete fluid isolation
- Features 180 degree install angle with full drainability in multiple orientations
- Simple Tri-Clamp assembly makes maintenance 80 % faster
- No readjustment or retightening
- Integrated travel stops



Performance

Sterile access valve flow rates		
Size (inches)	Cv at 0.07 bar (1 psi)	
	LPM	USGPM
0.50 Compact	17.8	4.70
0.75	36	9.51
1.00	70	18.49
1.50	104	27.47

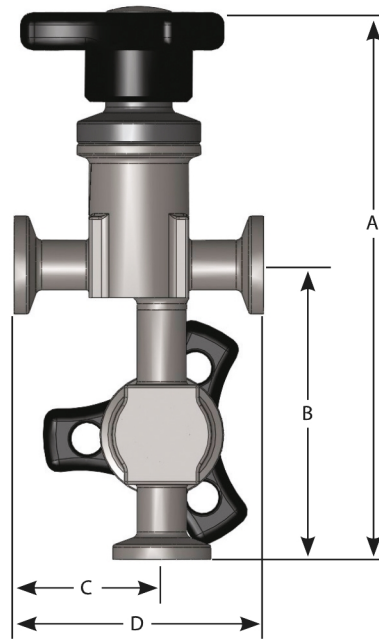
Technical specifications

	Sterile access valves
Mounting type	Clamp, In-line
Flow rate	17.8 - 104 l/m
Flow rate	4.7 - 27.5 USGPM
Mounting sizes	0.5 in, 0.75 in, 1.0 in, 1.5 in
Inlet/outlet Connections	Hygienic clamp, Tube end
Max. operating pressure	10 bar (150 psi)
Operating temperature	-35 °C to 200 °C (-30 °F to 400 °F)
Compatible actuators	Fail closed, Fail open, Manual, Pneumatic
Compatible diaphragms	EPDM
Surface finish options	Electropolished, Max 10 micro-inch Ra (0.25 µm Ra), Max 15 micro-inch Ra (0.375 µm Ra), Max 20 micro-inch Ra (0.5 µm Ra)
Certification and compliance	ISO 9001
Standards	ASME BPE, CE-PED
Weight	0.44 - 6.47 kg (0.96 - 14.24 lbs)

Materials of construction

	Sterile access valves
Material	Hastelloy, Stainless steel 316L, Stainless steel AL-6XN

Sterile access valves dimensions



Combination Sterile access valve

Ported Sterile access valve dimensions

Size (Inches)	A - with Manual Actuator		A - with Pneumatic Actuator		B		C		D	
	mm	in	mm	in	mm	in	mm	in	mm	in
0.50 Compact	104.1	4.10	160.5	6.32	40.1	1.58	37.6	1.48	63.5	2.50
0.75	111.3	4.38	219.2	8.63	47.2	1.86	49.0	1.93	76.2	3.00
1.00	153.2	6.03	282.2	11.11	50.3	1.98	75.4	2.97	114.3	4.50
1.50	160.8	6.33	384.8	15.15	56.9	2.24	98.6	3.88	139.7	5.50

Combination Sterile access valve dimensions

Size (Inches)	A - with Manual Actuator		A - with Pneumatic Actuator		B		C		D	
	mm	in	mm	in	mm	in	mm	in	mm	in
0.50 Compact	139.2	5.48	195.6	7.70	74.9	2.95	37.6	1.48	63.5	2.50
0.75	157.5	6.20	265.4	10.45	94.7	3.73	49.0	1.93	76.2	3.00
1.00	239.0	9.41	368.0	14.49	136.1	5.36	75.4	2.97	114.3	4.50
1.50	272.0	10.71	495.8	19.52	168.1	6.62	98.6	3.88	139.7	5.50

Weights

Ported Sterile access valve weights

Size (Inches)	Valve Body		Total Weight with Manual Actuator	
	kg	lb	kg	lb
0.50 Compact	0.44	0.96	0.69	1.51
0.75	0.86	1.89	1.70	3.74
1.00	1.79	3.94	3.13	6.89
1.50	3.25	7.15	6.68	14.70

Combination Sterile access valve weights

Size inches	Valve Body		Total Weight with Manual Actuator	
	kg	lb	kg	lb
0.50 Compact	0.84	1.84	1.34	2.94
0.75	1.62	3.56	3.30	7.26
1.00	3.38	7.43	6.06	13.33
1.50	6.47	14.24	13.32	29.30

Product codes

Ported Sterile access valve	
Model Code	Part Description
FC05-110-1	Weirless valve 0.5" Compact EN 1.4435 body/EN1.4404 fittings Clamp-end inlet Clamp-end outlet 2.5" Face-to-Face & 0.5" clamp-end port 1.58" from centerline 20 micro-inch Ra surface finish electropolished and passivated includes body/actuator clamp
IC08-110-1	Weirless valve 0.75" EN 1.4435 body/EN1.4404 fittings Clamp-end inlet Clamp-end outlet 3" Face-to-Face & 0.75" clamp-end port 1.86" from centerline 20 micro-inch Ra surface finish electropolished and passivated includes body/actuator clamp
IC10-110-1	Weirless valve 1" EN 1.4435 body/EN1.4404 fittings Clamp-end inlet Clamp-end outlet 4.5" Face-to-Face & 1" clamp-end port 2" from centerline 20 micro-inch Ra surface finish electropolished and passivated includes body/actuator clamp
IC15-110-1	Weirless valve 1.5" EN 1.4435 body/EN1.4404 fittings Clamp-end inlet Clamp-end outlet 5.5" Face-to-Face & 1.5" clamp-end port 1.82" from centerline 20 micro-inch Ra surface finish electropolished and passivated includes body/actuator clamp
Combination Sterile access valve	
Model Code	Part Description
FC05-112-1	Weirless valve 0.5" Compact Block & Bleed EN 1.4435 body/EN1.4404 fittings Clamp-end inlet Clamp-end outlet 2.5" Face-to-Face & 0.5" bleed valve with clamp-end outlet 20 micro-inch Ra surface finish electropolished and passivated includes body/actuator clamp
IC08-112-1	Weirless valve 0.75" Block & Bleed EN 1.4435 body/EN1.4404 fittings Clamp-end inlet Clamp-end outlet 3" Face-to-Face & 0.75" bleed valve with clamp-end outlet 20 micro-inch Ra surface finish electropolished and passivated includes body/actuator clamp
IC10-112-1	Weirless valve 1" Block & Bleed EN 1.4435 body/EN1.4404 fittings Clamp-end inlet Clamp-end outlet 4.5" Face-to-Face & 1" bleed valve with clamp-end outlet 20 micro-inch Ra surface finish electropolished and passivated includes body/actuator clamp
IC15-112-1	Weirless valve 1.5" Block & Bleed EN 1.4435 body/EN1.4404 fittings Clamp-end inlet Clamp-end outlet 5.5" Face-to-Face & 1.5" bleed valve with clamp-end outlet 20 micro-inch Ra surface finish electropolished and passivated includes body/actuator clamp

Disclaimer: The information contained in this document is believed to be correct but ASEPCO accepts no liability for any errors it contains and reserves the right to alter specifications without notice. It is the user's responsibility to ensure product suitability for use within their application. Radial diaphragm is a trademark of ASEPCO Corporation. Tri-Clamp is a registered trademark of Alfa Laval Corporate AB. A member of Watson-Marlow Fluid Technology Solutions, A Spirax-Sarco Engineering plc company.



wmfts.com/global
14 July 2025