

AKS series actuators

Tank valve pneumatic actuators

Features and benefits

- Hygienic design with laser-etched serial numbers on the actuator body supports full product traceability and cGMP
- Lightweight stainless steel and plastic construction with 304 SS sleeve and nylon handle
- Pneumatic control options to suit your process needs
- Visual indication of open/closed status
- Market-leading three year warranty



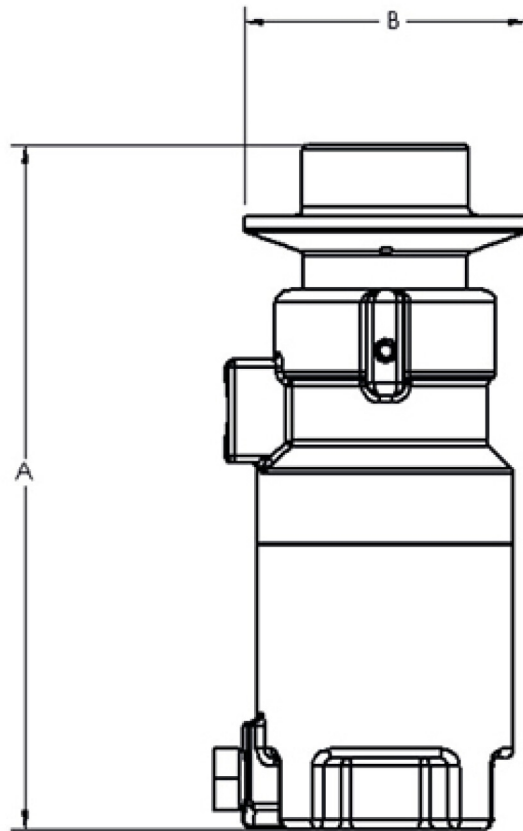
Technical specifications

	AKS series actuators
Sizes	0.5", 1.0", 1.5"
Pneumatic air connection fitting	1/8 inch NPT
	1/4
Max. operating pressure	150 psi (10 bar)
	70
	100
Compatible valves	Standard (90 degree) Weirless Radial diaphragm tank valves
Certification and compliance	ISO 9001
Standards	3-A, ASME BPE, ATEX 2014/34/EU, CE Ex II2G Ex h II8 T3 Gb, CE-PED

Materials of construction

	AKS series actuators
Housing	Nylon, Stainless steel 304
Actuator shaft	Stainless steel 304
O-ring	EPDM
Seals	EPDM

AKS series actuators dimensions



Size	A mm (Inch)	B mm (inch)	Max travel mm (inch)	Weight kg (lb)	Clearance required for removal mm (inch)
0.5	122.3 (4.8)	50.4 (2.0)	4.3 (0.2)	0.5 (1.0)	172.7 (6.8)
1.0	149.8 (5.9)	75.8 (3.0)	7.3 (0.3)	1.1 (2.5)	226.1 (8.9)
1.5	151.8 (6.0)	75.8 (3.0)	7.7 (0.3)	1.1 (2.5)	228.6 (9.0)

Product codes

Product number	Product description
PN05-01	0.5" Weirless Radial tank valve AKS pneumatic actuator
PN10-01	1.0" Weirless Radial tank valve AKS pneumatic actuator
PN17-01	1.5" Weirless Radial tank valve AKS pneumatic actuator

Disclaimer: The information contained in this document is believed to be correct but ASEPCO accepts no liability for any errors it contains and reserves the right to alter specifications without notice. It is the users responsibility to ensure product suitability for use within their application. Radial diaphragm is a trademark of ASEPCO Corporation. Tri-Clamp is a registered trademark of Alfa Laval Corporate AB. A member of Watson-Marlow Fluid Technology Group, A Spirax-Sarco Engineering plc company.



wmfts.com/global
23 October 2025