

# AJS series actuators



Tank valve pneumatic actuators

## Features and benefits

- Hygienic design with laser-etched serial numbers on the actuator body supports full product traceability and cGMP
- Lightweight stainless steel and plastic construction with 304 SS sleeve and nylon handle
- Pneumatic control options to suit your process needs
- Visual indication of open/closed status
- Market-leading three year warranty



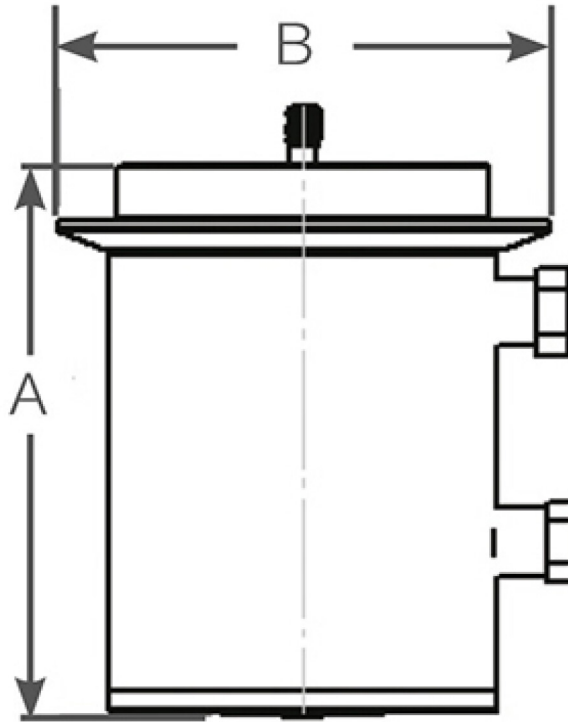
## Technical specifications

|                                  | AJS series actuators                                              |
|----------------------------------|-------------------------------------------------------------------|
| Sizes                            | 0.5", 1.0", 1.5", 2.0", 3.0", 4.0"                                |
| Pneumatic air connection fitting | 1/8 inch NPT (autoclavable)                                       |
| Max. operating pressure          | 150 psi (10 bar)                                                  |
|                                  | 70                                                                |
|                                  | 100                                                               |
| Compatible valves                | Standard (90 degree) Weirless Radial diaphragm tank valves        |
| Certification and compliance     | ISO 9001                                                          |
| Standards                        | 3-A, ASME BPE, ATEX 2014/34/EU, CE Ex II2G Ex h II8 T3 Gb, CE-PED |

## Materials of construction

|                | AJS series actuators                                     |
|----------------|----------------------------------------------------------|
| Housing        | Black anodized aluminum, Stainless steel 304             |
| Actuator shaft | Gall-Tough® stainless steel, Nitronic 60 stainless steel |
| O-ring         | EPDM                                                     |
| Seals          | EPDM                                                     |
| Bearings       | Nylon, Stainless steel                                   |

## AJS series actuators dimensions



### Pneumatic

| Size | A mm (Inch) | B mm (Inch) | Max travel mm (inch) | Weight kg (lb) | Clearance required for removal mm (inch) |
|------|-------------|-------------|----------------------|----------------|------------------------------------------|
| 0.5  | 81.0 (3.2)  | 50.8 (2.0)  | 5.6 (0.2)            | 0.7 (1.6)      | 86.4 (3.4)                               |
| 1.0  | 111.0 (4.4) | 76.2 (3.0)  | 7.9 (0.3)            | 2.1 (4.7)      | 104.1 (4.1)                              |
| 1.5  | 119.9 (4.7) | 76.2 (3.0)  | 14.2 (0.6)           | 2.1 (4.7)      | 142.2 (5.6)                              |
| 2.0  | 132.1 (5.2) | 119.4 (4.7) | 14.2 (0.6)           | 3.5 (7.8)      | 142.2 (5.6)                              |
| 3.0  | 172.7 (6.8) | 119.4 (4.7) | 19.8 (0.8)           | 10.0 (22.1)    | 266.7 (10.5)                             |
| 4.0  | 236.7 (9.3) | 165.1 (6.5) | 25.4 (1.0)           | 23.7 (52.2)    | 355.6 (14.0)                             |

### Product codes

| Product number | Product description                                    |
|----------------|--------------------------------------------------------|
| PN05           | 0.5" Weirless Radial tank valve AJS pneumatic actuator |
| PN10           | 1.0" Weirless Radial tank valve AJS pneumatic actuator |
| PN17           | 1.5" Weirless Radial tank valve AJS pneumatic actuator |
| PN20           | 2.0" Weirless Radial tank valve AJS pneumatic actuator |
| PN30           | 3.0" Weirless Radial tank valve AJS pneumatic actuator |
| PN40           | 4.0" Weirless Radial tank valve AJS pneumatic actuator |

Disclaimer: The information contained in this document is believed to be correct but ASEPCO accepts no liability for any errors it contains and reserves the right to alter specifications without notice. It is the users responsibility to ensure product suitability for use within their application. Radial diaphragm is a trademark of ASEPCO Corporation. Tri-Clamp is a registered trademark of Alfa Laval Corporate AB. A member of Watson-Marlow Fluid Technology Group, A Spirax-Sarco Engineering plc company.



wmfts.com/global  
23 October 2025