

AJS Series actuators



Tank valve manual actuators

Features and benefits

- Hygienic design with laser-etched serial numbers on the actuator body supports full product traceability and cGMP
- Lightweight stainless steel and plastic construction with 304 SS sleeve and nylon handle
- Manual control options to suit your process needs
- Visual indication of open/closed status
- Market-leading three year warranty



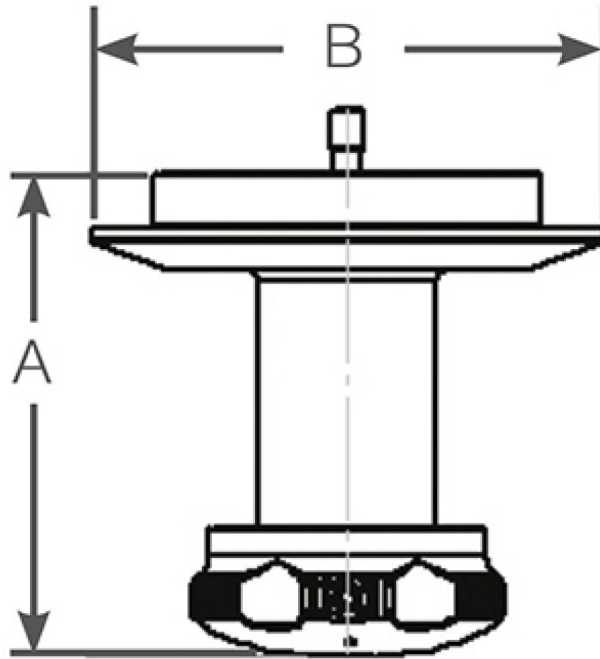
Technical specifications

	AJS Series actuators
Sizes	0.5", 1.0", 1.5", 2.0", 3.0", 4.0"
Max. operating pressure	150 psi (10 bar)
Compatible valves	Standard (90 degree) Weirless Radial diaphragm tank valves
Certification and compliance	ISO 9001
Standards	3-A, ASME BPE, CE-PED

Materials of construction

	AJS Series actuators
Housing	Black anodized aluminum, Stainless steel 304
Actuator shaft	Gall-Tough® stainless steel, Nitronic 60 stainless steel
O-ring	EPDM
Seals	EPDM
Bearings	Nylon, Stainless steel

AJS Series actuators dimensions



Manual

Size	A mm (inch)	B mm (inch)	Max travel mm (inch)	Weight (with plastic handle) kg (lb)	Clearance required for removal mm (inch)
0.5	61.0 (2.4)	50.8 (2.0)	5.6 (0.2)	0.5 (1.1)	86.4 (3.4)
1.0	71.1 (2.8)	76.2 (3.0)	7.9 (0.3)	1.0 (2.2)	104.1 (4.1)
1.5	99.1 (3.9)	76.2 (3.0)	14.2 (0.6)	1.1 (2.4)	142.2 (5.6)
2.0	111.8 (4.4)	119.4 (4.7)	14.2 (0.6)	2.1 (4.7)	142.2 (5.6)
3.0	111.8 (4.4)	119.4 (4.7)	19.8 (0.8)	2.1 (4.7)	193.0 (7.6)
4.0	139.7 (5.5)	165.1 (6.5)	25.4 (1.0)	6.2 (13.7)	246.4 (9.7)

Product codes

Product number	Product description
MN05	0.5" Weirless Radial tank valve AJS manual actuator
MN10	1.0" Weirless Radial tank valve AJS manual actuator
MN17	1.5" Weirless Radial tank valve AJS manual actuator
MN20	2.0" Weirless Radial tank valve AJS manual actuator
MN30	3.0" Weirless Radial tank valve AJS manual actuator
MN40	4.0" Weirless Radial tank valve AJS manual actuator

Disclaimer: The information contained in this document is believed to be correct but ASEPCO accepts no liability for any errors it contains and reserves the right to alter specifications without notice. It is the users responsibility to ensure product suitability for use within their application. Radial diaphragm is a trademark of ASEPCO Corporation. Tri-Clamp is a registered trademark of Alfa Laval Corporate AB. A member of Watson-Marlow Fluid Technology Group, A Spirax-Sarco Engineering plc company.



wmfts.com/global
14 July 2025