

In-line valve manual actuators

In-line valve manual actuators

Features and benefits

- Hygienic design with laser-etched serial numbers on the actuator body supports full product traceability and cGMP
- Lightweight stainless steel and plastic construction with 304 SS sleeve and nylon handle
- Manual control options to suit your process needs
- Visual indication of open/closed status
- 150 psig maximum sealing force



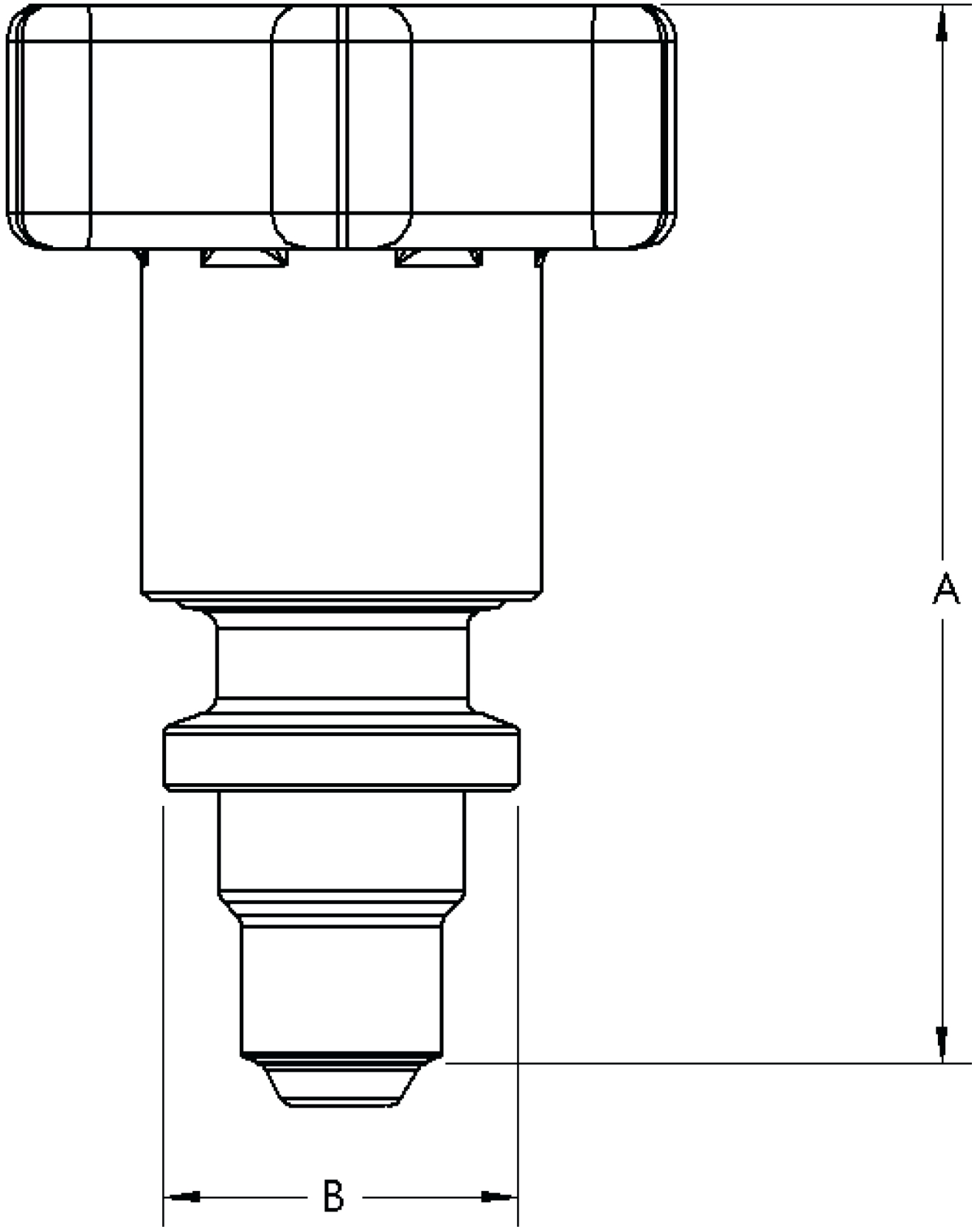
Technical specifications

| | In-line valve manual actuators |
|------------------------------|---|
| Sizes | 0.5", 0.75", 1.0", 1.5" |
| Max. operating pressure | 150 psi (10 bar) |
| Compatible valves | Standard (180 degree) Weirless Radial diaphragm tank valves |
| Certification and compliance | ISO 9001 |
| Standards | 3-A, ASME BPE, CE-PED |

Materials of construction

| | In-line valve manual actuators |
|----------------|--------------------------------|
| Housing | Nylon, Stainless steel 304 |
| Actuator shaft | Stainless steel 316 |
| O-ring | EPDM |
| Seals | EPDM |

In-line valve manual actuators dimensions



| Size (inch) | A mm (inch) | B mm (inch) | Max travel mm (inch) | Weight kg (lb) | Clearance required for removal mm (inch) |
|-------------|-------------|-------------|----------------------|----------------|--|
| 0.50 | 94.0 (3.7) | 31.5 (1.2) | 4.6 (0.18) | 0.4 (0.8) | 144.8 (5.7) |
| 0.75 | 91.4 (3.6) | 50.8 (2.0) | 5.6 (0.22) | 0.6 (1.2) | 142.2 (5.6) |
| 1.00 | 106.7 (4.2) | 63.5 (2.5) | 7.6 (0.30) | 0.9 (1.9) | 182.9 (7.2) |
| 1.50 | 106.7 (4.2) | 91.4 (3.6) | 10.2 (0.40) | 1.5 (3.3) | 195.6 (7.7) |

Product codes

| Product number | Product description |
|----------------|---|
| FM05-01 | 0.5" Weirless Radial in-line valve AKS manual actuator |
| IM08-01 | 0.75" Weirless Radial in-line valve AKS manual actuator |
| IM10-01 | 1.0" Weirless Radial in-line valve AKS manual actuator |
| IM15-01 | 1.5" Weirless Radial in-line valve AKS manual actuator |

Disclaimer: The information contained in this document is believed to be correct but ASEPCO accepts no liability for any errors it contains and reserves the right to alter specifications without notice. It is the users responsibility to ensure product suitability for use within their application. Radial diaphragm is a trademark of ASEPCO Corporation. Tri-Clamp is a registered trademark of Alfa Laval Corporate AB. A member of Watson-Marlow Fluid Technology Group, A Spirax-Sarco Engineering plc company.



wmfts.com/global
22 October 2025