

# 400 FD B1 pump

400/B series panel mount pumps

## Features and benefits

- Flow rates up to 207 ml/min
- Wide range of Brushless, DC and AC motors available
- Supports a wide range of applications with the multiple channel, continuous tubing, tube element and manifold tubing options.



## 400 FD B1 pump performance

Tube bore and flow rates (ml/min)							
Speed (rpm)	0.5 mm	0.8 mm	1.6 mm	2.4 mm	3.2 mm	4.0 mm	
4	0.04	0.12	0.44	0.96	1.6	2.4	
5	0.05	0.15	0.55	1.20	2.1	3.0	
10	0.10	0.30	1.10	2.4	4.1	5.9	
12	0.12	0.36	1.32	2.9	4.9	7.1	
15	0.15	0.45	1.6	3.6	6.1	8.8	
20	0.20	0.60	2.2	4.8	8.2	11	
25	0.25	0.75	2.7	6.0	10	14	
40	0.40	1.20	4.4	9.6	16	23	
50	0.50	1.5	5.5	12	20	29	
75	0.75	2.2	8.2	18	31	44	
100	1.00	3.0	11	24	41	59	
130	1.30	3.9	14	31	53	77	
200	2.0	6.0	22	48	82	118	
250	2.5	7.5	27	60	103	148	
350	3.5	10	38	84	144	207	

## Technical specifications

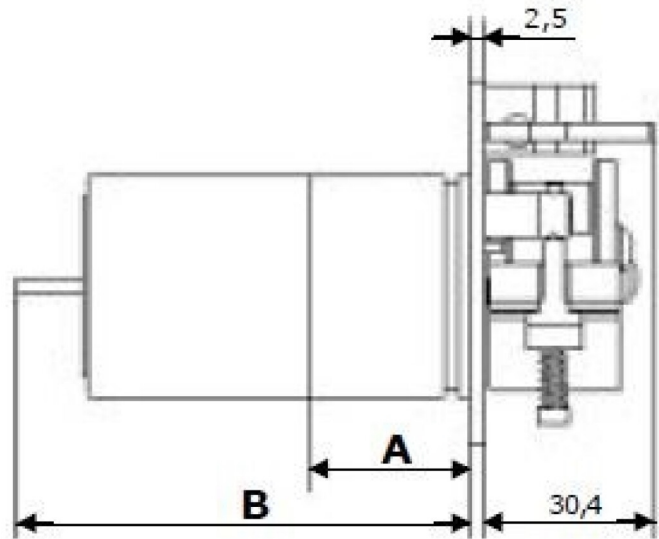
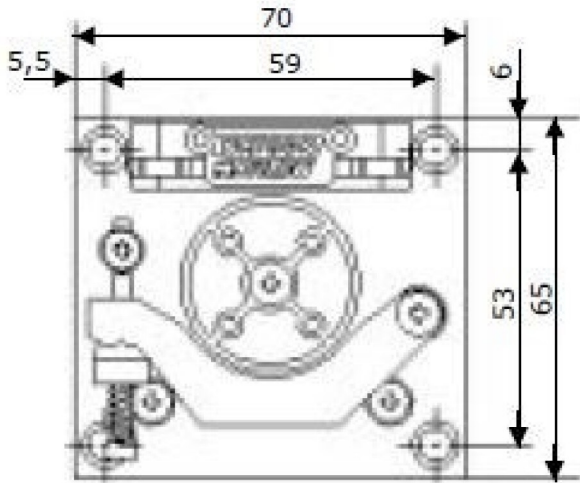
	400 FD B1 pump
Motor types	Fixed speed DC motor
Pumphead options	B1
Flow rate range	0.04 ml/min to 207 ml/min
Supply voltage	12 V DC, 24 V DC
Power consumption	5 W
Gearbox ratio	Spur; 15:1, Spur; 250:1, Spur; 30:1, Spur; 75:1
Compatible tubing wall thickness	1.6 mm

## Materials of construction

	400 FD B1 pump
Pumphead body assembly	Acetal (black)
Pumphead rotor assembly	Acetal (black)
Pumphead roller assembly	Acetal (black)
Face plate	Anodised aluminium
Driveshaft	Acid resistant stainless steel
Springs	Acid resistant stainless steel

Information listed covers the complete range. For detailed specifications of individual models/components refer to product reference manual or contact WMFTS representative.

## 400 FD B1 pump dimensions



Motor type	Dimension A	Dimension B
Standard DC 5W	L=26.5mm X Ø39.6mm	L=87.3mm* X Ø39.6mm
Economy DC 5W	L=26.5mm X Ø39.6mm	L=81.0mm* X Ø39.6mm
Brushless DC 5W	L=26.5mm X Ø39.6mm	L=77.0mm* X Ø39.6mm

\*maximum length behind mounting plate.

Motor type	Length overall (A+B)	Ø overall (A+B)
Synchronous AC 2W	44.4mm	78.6mm

## Product codes

Motor type	Voltage	Speed (rpm)	Product code
Economy DC 5W	12VDC	350	040.AU1B.01C
Economy DC 5W	24VDC	350	040.BU1B.01C
Economy DC 5W	12VDC	200	040.AS1B.01C
Economy DC 5W	24VDC	200	040.BS1B.01C
Economy DC 5W	12VDC	75	040.AN1B.01C
Economy DC 5W	24VDC	75	040.BN1B.01C
Economy DC 5W	12VDC	25	040.AC1B.01C
Economy DC 5W	24VDC	25	040.BC1B.01C
Brushless DC 5W	24VDC	250	040.FT1B.01C
Brushless DC 5W	24VDC	130	040.FQ1B.01C
Brushless DC 5W	24VDC	50	040.FK1B.01C
Brushless DC 5W	24VDC	15	040.F91B.01C
Synchronous AC 2W	110VAC (60Hz)	25	040.HC1B.01C
Synchronous AC 2W	220VAC (50Hz)	20	040.JA1B.01C
Synchronous AC 2W	110VAC (60Hz)	12	040.H81B.01C
Synchronous AC 2W	220VAC (50Hz)	10	040.J71B.01C
Synchronous AC 2W	110VAC (60Hz)	5	040.H41B.01C
Synchronous AC 2W	220VAC (50Hz)	4	040.J31B.01C

Disclaimer: All flow rates shown were obtained pumping water at 20 °C (68 °F) with zero suction and delivery heads. Watson-Marlow, Pumpsil, PureWeld XL, Bioprene and Marprene are trademarks of Watson-Marlow Limited. Disclaimer: The information contained in this document is believed to be correct but Watson-Marlow Limited accepts no liability for any errors it contains, and reserves the right to alter specifications without notice. GORE and STA-PURE are trademarks of W. L. Gore & Associates. Please state the product code when ordering pumps and tubing.



wmfts.com/global  
10 July 2025