

Silicone RXPX Gauge Guard



BioPure Gauge Guard

Features and benefits

- Available in silicone or EPDM
- USP Class VI compliant and Animal Derived Component Free (ADCF)
- Compliant with FDA regulations CFR 21 177.2600
- Lot numbering enables product traceability



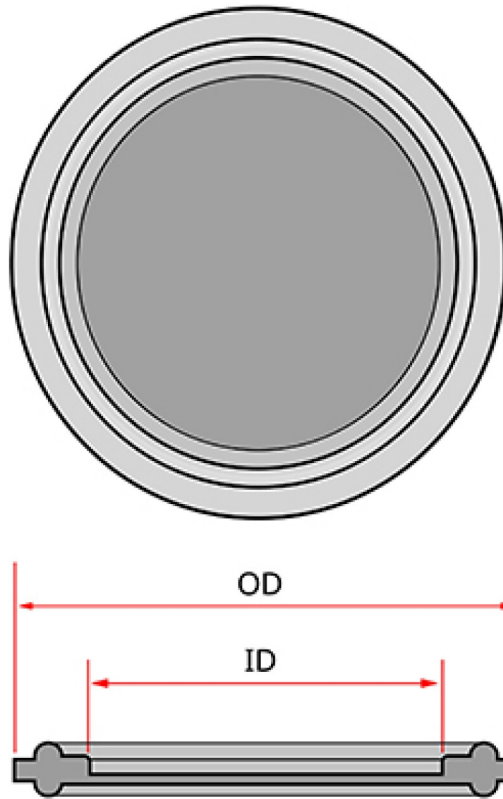
Technical specifications

	Silicone RXPX Gauge Guard
Gasket type	Isolator
Internal diameter	35.56 mm (1.4 in)
External diameter	50.29 mm (1.98 in)
Size	1.5 in
Quantity	25 PCS
Certification and compliance	ADCF, ISO Class 7, USP Class VI
Operating temperature	-55 °C to 210 °C (-67 °F to 410 °F)
Shelf life	5 years
Gamma stability	Max 50 kGy

Materials of construction

	Silicone RXPX Gauge Guard
Material	Silicone

Silicone RXPX Gauge Guard dimensions



Size	ID (in)	OD (in)
1.5	1.4	1.98

Disclaimer: The information contained in this document is believed to be correct but Watson-Marlow Limited accepts no liability for any errors it contains and reserves the right to alter specifications without notice. It is the user's responsibility to ensure product suitability for use within their application. Watson-Marlow and WMArchitect are registered trademarks of Watson-Marlow Limited. BioClamp, BioBarb, FlatBioEndCap, BioEndCap, BioValve, BioTube applicator and Q-Clamp are Trademarks of BioPure Technology Limited. Tri-Clamp is a registered trademark of Alfa Laval Corporate AB.



wmfts.com/global
11 July 2025