

## The ASEPCO Weirless Radial-Diaphragm™ Divert Valve



ADVANCED ASEPTIC  
PROCESSING EQUIPMENT

### Designed for Critical Aseptic Processing Applications

ASEPCO radial-diaphragm valves are specifically designed for applications where leakage, dead legs, and cross-contamination are unacceptable, just like ASEPCO's original Tank-Bottom Valve. We've applied our contamination-free, radial-diaphragm technology and easy-to-use clamp assembly to an inline diverting valve configuration, creating a reliable valve that is easy to assemble and inspect. Our divert valves are designed to allow division and blending of 2 or 3 lines in a single valve body.

#### Features

- Radial-diaphragm
- Flush mount design
- Self-draining, highly cleanable
- Simple clamp assembly
- Change diaphragms in seconds
- Integral travel stops
- Flush or CIP/SIP while valve is closed
- Fewer valve assemblies
- Minimum distances between each valve seat (fewer and shorter dead legs)
- Full CIP/SIP capability

#### Specifications

##### Valves

Material	316L, AL6XN, Hastelloy, Polypropylene Machined from solid, hot-rolled, bar stock
Surface Finish	Max 20 micro-inch Ra (0.5 µm Ra), Electropolished Max 15 micro-inch Ra (0.375 µm Ra), Electropolished Max 10 micro-inch Ra (0.25 µm Ra), Electropolished
Sizes	0.5 inch, 1.0 inch, 1.5 inches, 2.0 inches, 2.5 inches, and 3 inches
Outlet Connections	Standard: Sanitary flange or buttweld, (others available)
Steam Valve Inlet Connection	0.5 inch Sanitary flange standard (others available)
Maximum Pressure	[Valve body pressure only] ASME vessels: 250 psi (17 bar), PED vessels: 175 psi (12 bar)
Maximum Temperature	Varies from 135°C/275°F to 260°C/500°F depending on diaphragm material
Marking	Each valve is serialized and marked for full material traceability
ISO	All product and procedures are governed by our ISO Quality Assurance Program
Standards	BPE, CE-PED, ASME

##### Actuators

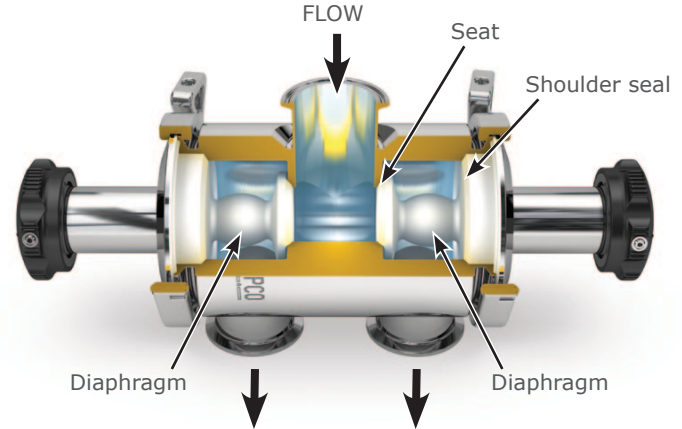
Types	Autoclavable Manual or compact normally closed or normally open pneumatic Both actuators feature position and leak indicators and are self contained
Material	304 stainless steel housing, can be made in 316L
Sizes	0.5 inches through 3 inches
Operating Air Pressure	100 psi max for pneumatic actuators
Seals	Teflon bushings and O-rings
Fitting	1/8" NPT air connection (for pneumatic)
Possible Instrumentation	• Switched • With or without solenoids • With or without DeviceNet cards

##### Diaphragms

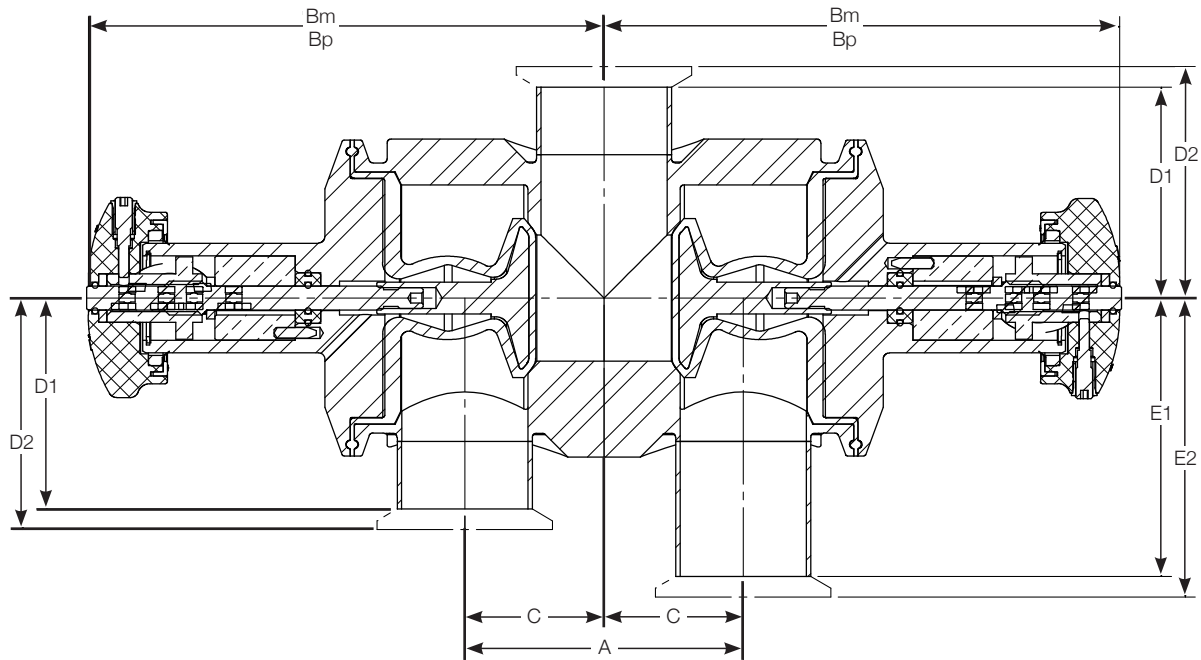
Materials	Silicone	Silicone Plus	EPDM	EPDM Plus	Viton*	PTFE*
Temperature Range	-60 to 275°F	-60 to 275°F	-30 to 275°F	-30 to 275°F	5 to 400°F	39 to 500°F
Pressure Range	100-150psi	100-150psi	100-150psi	100-150psi	100-150psi	40-60psi
Parylene Treatment	-	√	-	√	-	-
Class	All materials: USP Class VI, 21 CFR 177.2600					

\* Not available in all valve sizes

Please contact our Customer Service Department for any non-standard valve requirement (800) 882-3886 or info@asepco.com



## Divert Valve Dimensions, Flow Rates, and Weights Specifications



### TR/DVXX-701-X (weld end) DVXX-702-X (clamp end): Flush-Mounted Divert Valve

Size	A	Bm - with Manual Actuator	Bp - with Pneumatic Actuator	C	D1 Weld-End Fitting	D2 Clamp-End Fitting	E1 Weld-End Fitting	E2 Clamp-End Fitting
inches	in (mm)	in (mm)	in (mm)	in (mm)	in (mm)	in (mm)	in (mm)	in (mm)
0.50	1.55 (39)	4.13 (105)	4.90 (124)	0.77 (20)	1.96 (50)	2.08 (53)	2.96 (75)	3.08 (78)
1.00	2.13 (54)	5.05 (128)	6.66 (169)	1.06 (27)	2.40 (61)	2.53 (64)	3.40 (86)	3.53 (89)
1.50	3.13 (80)	5.60 (142)	7.41 (188)	1.56 (40)	2.67 (68)	2.79 (71)	3.67 (93)	3.79 (96)
2.00	7.40 (188)	7.64 (194)	8.50 (216)	3.70 (94)	3.13 (80)	3.25 (83)	4.13 (105)	4.25 (108)
2.50	6.41 (163)	9.07 (230)	11.42 (290)	3.25 (83)	3.59 (91)	3.71 (94)	4.59 (117)	4.71 (120)
3.00	6.00 (152)	9.07 (230)	11.42 (290)	3.00 (76)	3.59 (91)	3.71 (94)	4.59 (117)	4.71 (120)

### Divert Valve Flow Rates

Size	Cv at 1 psi (0.07 bar)
inches	GPM (LPM)
0.50	4.3 (16.3)
1.00	15.8 (59.8)
1.50	48 (182)
2.00	72 (273)
2.50	90 (341)
3.00	170 (643)

### Weights

Size	Valve Body	Total Weight with Manual Actuator	Total Weight with Pneumatic Actuator
inches	lb (Kg)	lb (Kg)	lb (Kg)
0.50	1.9 (0.9)	3.8 (1.7)	3.6 (1.6)
1.00	5.0 (2.3)	9.2 (4.2)	10.0 (4.5)
1.50	9.5 (4.3)	13.1 (5.9)	14.5 (6.6)
2.00	18.5 (8.4)	25.0 (11.3)	36.9 (16.7)
2.50	37.5 (17.0)	44.5 (20.2)	61.2 (27.7)
3.00	37 (16.8)	44 (19.9)	60.7 (27.5)