

701FB with RE pumphead

700 series close-coupled pumps

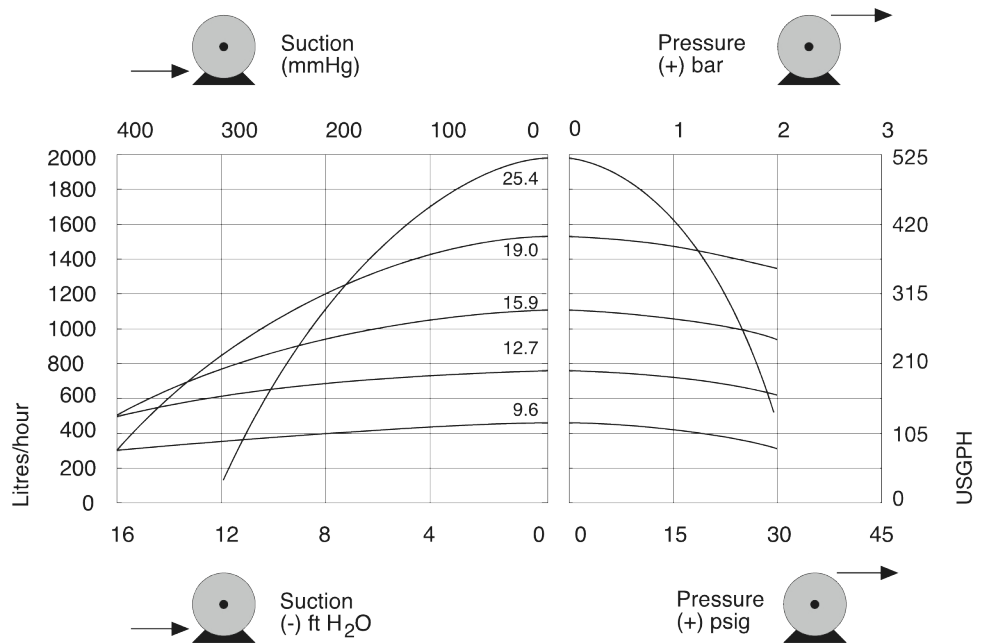
Features and benefits

- Flow rates up to 8.4 GPM at 30 psi peak pressure
- A choice of fixed speeds: 45 rpm, 134 rpm, 232 rpm and 348 rpm. Other speeds on request
- LoadSure tubing elements in four sizes and five materials, with industrial cam-and-groove connectors or sanitary Tri-clamp-style connectors
- Rugged, chemical and knock-resistant finish; tool-unlockable track
- Driven occlusion rollers for longer tube life



701FB with RE pumphead performance

Tube bore and flow rates L/h (USGPH)				
Pump models	Speed rpm	12.7mm	15.9mm	19.0mm
701FB/RE	45	97 (25.6)	140 (37)	190 (50.2)
701FB/RE	134	290 (76.6)	400 (106)	560 (148)
701FB/RE	232	500 (132)	700 (185)	970 (256)
701FB/RE	348	750 (198)	1000 (264)	1500 (396)



Technical specifications

	701FB with RE pumphead
Max. flow rate	1500 L/h
Min. flow rate	97 L/h
Max. operating pressure	2 bar
Ambient Temperature Range	5 to 40
Ambient Temperature Range	41 to 104
Motor types	Fixed speed motor
Max. operating speed	348 rpm
Standards	BS0800, CE, EN60529 (IP55)
Ingress rating	IP55
Noise	<85dB(A) at 1m
Weight	41 kg
Power supply	230/400V 50/60Hz 3 phase

<p>Table lists details for fixed speed pumps. For more detail on drive, AC motor and inverter options please contact your local Watson-Marlow Fluid Technology Solutions representative.</p>

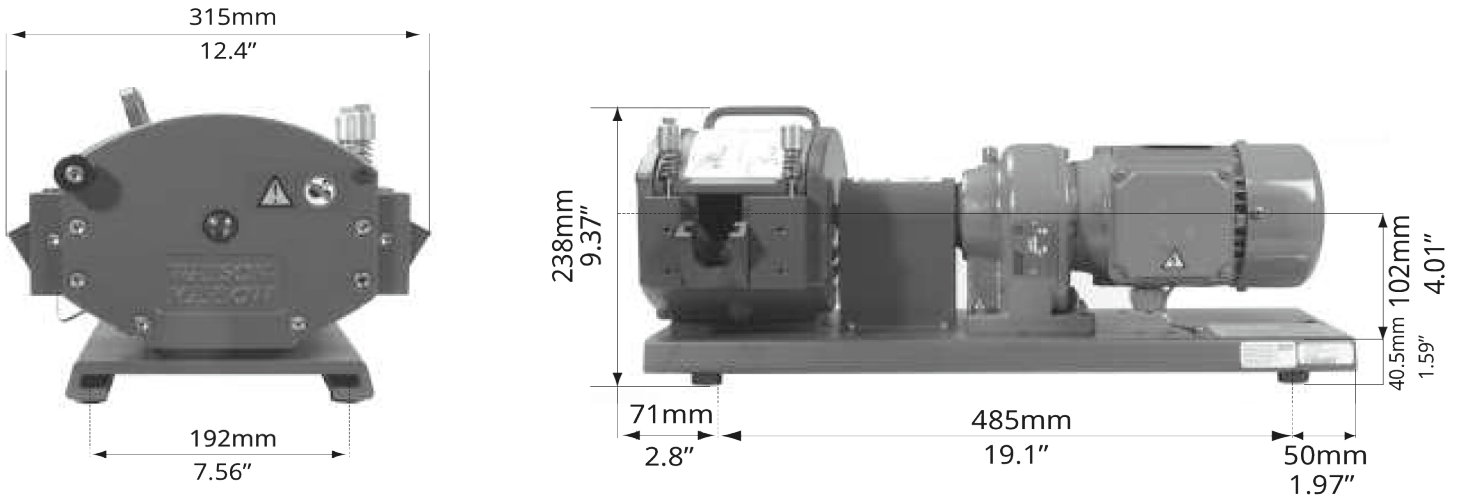
Materials of construction

	701FB with RE pumphead
Gearbox	Cast iron
Pumphead body assembly	Aluminum alloy with epoxy polyester powder coat finish
Pumphead roller assembly	MoS2 filled Nylon 6 (Nylatron)
Pumphead rotor assembly	Aluminum, Stainless steel
Pumphead track	Aluminum alloy with epoxy polyester powder coat finish
Fixings	Stainless steel

Information listed covers the complete range of fixed speed pumps.

For detailed specifications of individual models/components and other drive/pumphead options, refer to user manual or contact WMFTS representative.

701FB with RE pumphead dimensions



Disclaimer: All flow rates shown were obtained pumping water at 20 °C (68 °F) with zero suction and delivery heads. Watson-Marlow, Pumpsil, PureWeld XL, Bioprene and Marprene are trademarks of Watson-Marlow Limited. Disclaimer: The information contained in this document is believed to be correct but Watson-Marlow Limited accepts no liability for any errors it contains, and reserves the right to alter specifications without notice. GORE and STA-PURE are trademarks of W. L. Gore & Associates. Please state the product code when ordering pumps and tubing.

wmfts.com/global



14 August 2023