

Quantum 600

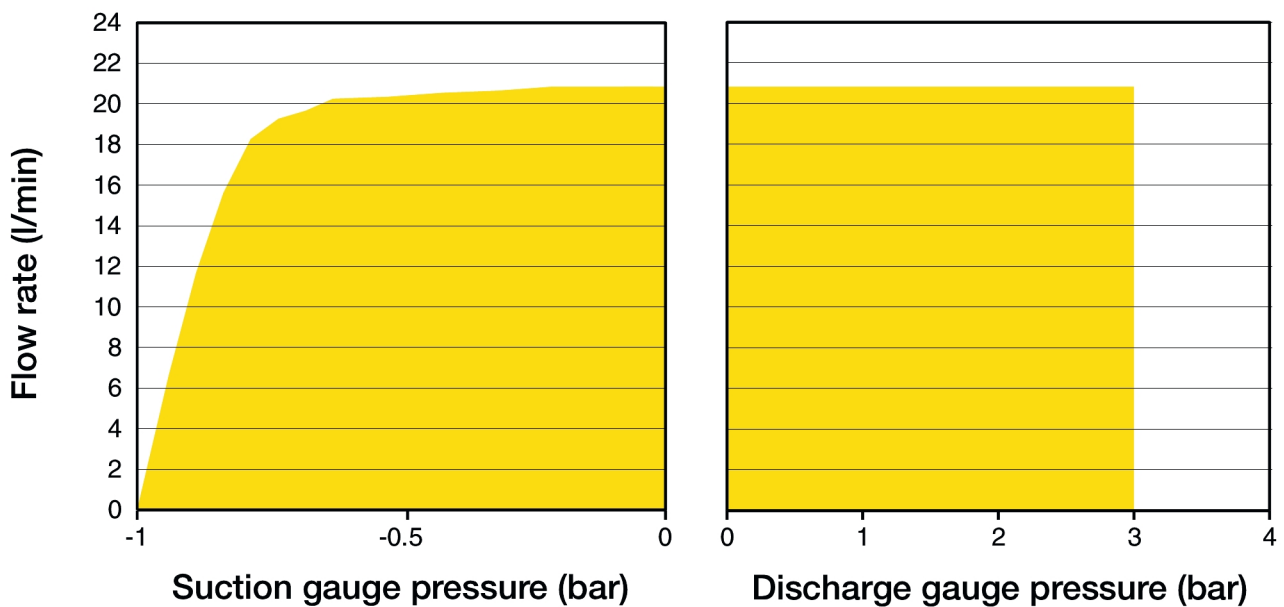
Quantum bioprocessing pump

Features and benefits

- Flow rates from 5.33 ml/min to 20 L/min
- 4000:1 speed control range from 0.1 to 400 rpm in 0.1 rpm increments
- Patented ReNu SU cartridge technology
- Color display and intuitive menu structures provide visual status indication and minimal key presses
- Keypad incorporates 3-level security PIN protection
- Paint free NEMA 12/13 IP66 pump housing
- Dual voltage, 115 V/230 V 50/60 Hz



Performance



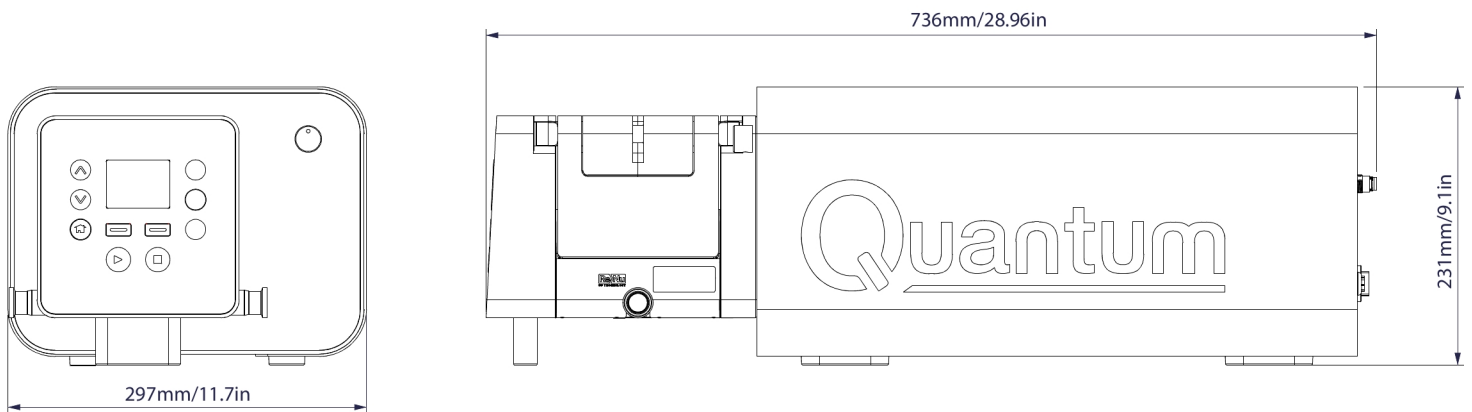
Technical specifications

	Quantum 600
Min. flow rate	5.33 ml/min
Max. flow rate	20 L/min
Max. operating pressure	3 bar
Speed control ratio	4000:1
Max. operating speed	400 rpm
Min. operating speed	0.1 rpm
Operating temperature range	5 to 30 °C
Operating temperature range	41 to 86 °F
Fluid temperature range	5 to 37 °C
Fluid temperature range	41 to 98 °F
Weight	38 kg
Weight	83.8 lbs
Inlet/outlet Connections	3 x M12 chassis male 8-way, M12 chassis female 8-way
Control types	Remote Analogue/Digital
Control options	U
Standards	CE, cETLus, IEC 61010-1
Ingress Protection	IP66, NEMA 12/13
Humidity	(Non-condensing) 80% up to 31°C (88°F), decreasing linearly to 50% at 40C (104F)
Noise	<70dB(A) at 1m
Max. altitude	2000 m
Power supply	100 to 120 V/200 to 240 V 1ph 50/60 Hz 250 VA

Materials of construction

	Quantum 600
Drive casework	Anodized aluminum, Silicone
Keypad/HMI	Polyester
Pumphead body assembly	Anodized aluminum
Pumphead roller assembly	Stainless steel 316
Pumphead track	Anodized aluminum
Seals	Silicone

Quantum 600 dimensions



Control options

Pump drives	Universal
Manual control	
Intuitive keypad and color display	✓
Choice of flow rate or speed display	✓
Full calibration with choice of flow units	✓
Remote control	
Configurable Start/Stop, leak detector input (via contact closure or 5V TTL or 24V industrial logic)	✓
Direction change and auto/manual toggle input (via contact closure or 5V TTL or 24V industrial logic)	✓
Remote operation of MemoDose (foot/hand-switch or logic input)	✓
Four configurable digital status outputs through 24V, 30W relays	✓
Analogue speed control	
Fully configurable inputs; 0-10V or 4-20mA	✓
Analogue outputs; 0-10V, 4-20mA	✓
Tacho frequency output; 0 to 1067 Hz, 0 to 400RPM	✓
Security	
3-level Security PIN lock	✓

Product codes

0 D 0 . 6 0 4 0 . 0 0 •

Plug options*

- U: UK mains plug
- E: EU mains plug
- A: American mains plug
- K: Australia mains plug
- R: Argentina mains plug
- C: Swiss mains plug
- D: India/South Africa mains plug

*IP66 / NEMA 12/13 pumps are supplied with a 2.5m/8.2ft lead attached to an American, Australia, Argentina, Swiss or South Africa mains plug

NOTE: Each pump is supplied with 1 bolt down bracket.

Product codes

Description	Partcode
ReNu SU 600 20/3P	33-1061-000001
ReNu SU CONNECTION KIT, BRAIDED PLATINUM-CURED SILICONE HOSE, 3/4" TC E/E, 0.5 MTR	33-1069-000001
ReNu SU CONNECTION KIT, BRAIDED PLATINUM-CURED SILICONE HOSE, 3/4" TC E/E, 1 MTR	33-1069-000002
ReNu SU CONNECTION KIT, BRAIDED PLATINUM-CURED SILICONE HOSE, 3/4" TC E/E, 3 MTR	33-1069-000003

Disclaimer: All flow rates shown were obtained pumping water at 20 °C (68 °F) with zero suction and delivery heads. The information contained in this document is believed to be correct but Watson-Marlow Limited accepts no liability for any errors it contains and reserves the right to alter specifications without notice. It is the users responsibility to ensure product suitability for use within their application. Watson-Marlow, LoadSure, Pumpsil, PureWeld XL, Bioprene, Marprene are registered trademarks of Watson-Marlow Limited. Tri-Clamp is a registered trademark of Alfa Laval Corporate AB. GORE and STA-PURE are registered trademarks of W.L. Gore and Associates. Please state the product code when ordering pumps and tubing.

wmfts.com/global



23 November 2023