

620Di and 620DiN with 620LG pumphead

620 series dispensing pumps

Features and benefits

- Keypad entry of flow from 0.00026 GPM (0.001 L/min) to 4.76 GPM (18 L/min)
- Dispenses 16.91 fl oz (500 ml) to within $\pm 0.5\%$
- Stores up to 50 dispensing programs
- Up to 60 psi (4 bar) pressure
- 2650:1 control ratio (0.1 to 265 rpm speed range)
- Digital speed adjustment with choice of 0.1 rpm, 0.5 rpm, 1 rpm, 2 rpm, 5 rpm and 10 rpm step changes
- Maintenance-free brushless DC motor
- Smooth easy-to-clean enclosure free from bug traps



620Di and 620DiN with 620LG pumphead performance

Flow ranges (L/min) (over 0.1 to 265rpm speed range)	Y element tubing (single channel)			Continuous tubing (flow per channel - max of 2 channels)		
	8.0mm	12.0mm	16.0mm	8.0mm	12.0mm	16.0mm
Pumpsil silicone	0.002-4.6	0.003-8.5	0.005-11.5	0.001-2.3	0.002-4.3	0.003-5.8
Marprene, Bioprene	0.002-4.6	0.003-8.5	0.005-11.5	0.001-2.3	0.002-4.3	0.003-5.8
Neoprene	0.002-4.6	0.003-8.5	0.005-12.6	0.001-2.3	0.002-4.3	0.003-6.3
STA-PURE PCS	0.002-5.2	0.003-9.0	0.005-12.4	0.001-2.6	0.002-4.5	0.003-6.2
620LG dose sizes (STA-PURE PCS®, STA-PURE PFL®)						
Tube bore	8.0mm		12.0mm		16.0mm	
Minimum possible dose	10ml		17ml		23ml	
Minimum recommended	99ml		167ml		234ml	

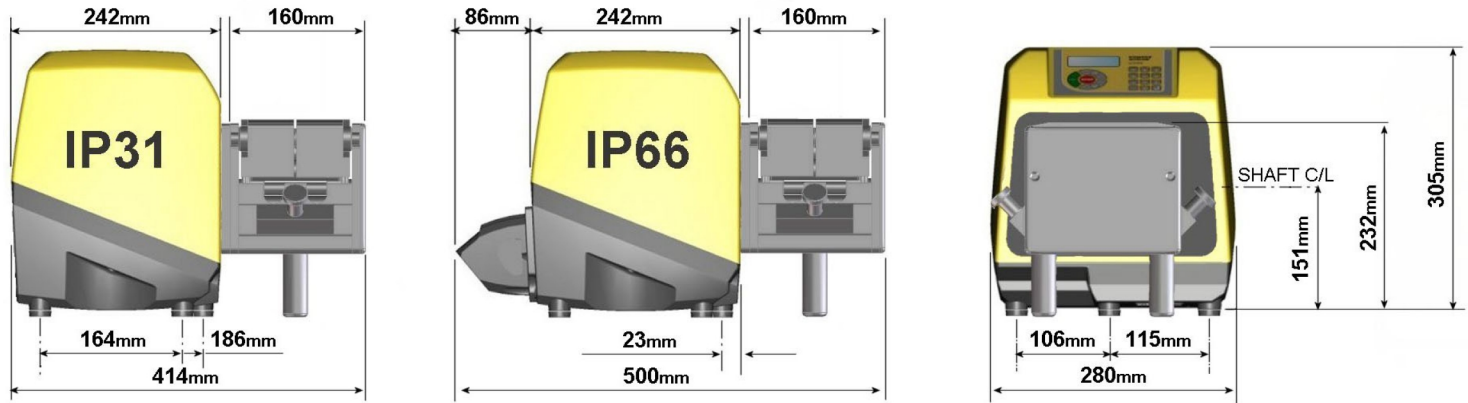
Technical specifications

	620Di and 620DiN with 620LG pumphead
Filling volume range	Up to 500ml in 2.4s ml
Accuracy	$\pm 0.5\%$
Ingress rating	IP31, IP66, NEMA 2, NEMA 4X
Operating temperature range	5 to 40 °C
Operating temperature range	40 to 104 °F
Speed control ratio	2650:1
Humidity	(Condensing) 10-100% RH, (Non-condensing) 80% up to 31°C (88°F), decreasing linearly to 50% at 40C (104F)
Noise	<70dB(A) at 1m
Standards	CE, cETLus
Power supply	100-120 V, 200-240 V, 50/60 Hz, Single-phase
Weight	24.3 - 25.2 kg
Weight	53.6 - 55.6 lbs
Accessories	Footswitch, handswitch, RS232 cable, batch records cable
Compatible tubing size	12.0 mm ID, 16.0 mm ID, 4.0 mm wall thickness, 8.0 mm ID

Materials of construction

	620Di and 620DiN with 620LG pumphead
Bearings	Carbon steel
Casework	Pressure die-cast aluminum LM24
Keypad/HMI	Polyester
Pumphead roller assembly	Stainless steel

620Di and 620DiN with 620LG pumphead dimensions



Control options

Functionality	620Di	620DiN
Enclosure - ingress protection rating	IP31	IP66
Manual control		
Digital speed control with simple calibration to display flow	✓	✓
Choice of flow rate display; metric or imperial units	✓	✓
Numeric keypad for entry of speed, flow or PIN code	✓	✓
Remote control		
Run/stop, direction change, auto/manual mode, leak detector input (via contact closure or 5V TTL to 24V industrial logic)	✓	✓
Remote operation of dosing (foot/handswitch or logic input)	✓	✓
Four programmable digital status outputs through 5V TTL to 24V industrial logic		✓
Analogue speed feedback		
Tachometer output; 0-1478Hz	✓	✓
Digital communication		
Digital network serial control RS232 RS485	RS232	RS485
Specialist dispensing functionality		
Drip control feature (momentary direction reverse at end of dose)	✓	✓
Ramp control to improve accuracy and avoid splashing or frothing	✓	✓
Export of batch records to PC or printer for cGMP requirements RS232	RS232	
Dual operator/supervisor PIN code protection of pump settings	✓	✓

Product codes

Product codes						
	620LG pumphead	Accessories				
Pumphead only	063.4623.000	Footswitch	Handswitch	RS232 cable	Batch records cable	
IP31/NEMA 2 wipe-down pumps		IP31	IP31	IP31	IP31	
620Di	060.4171.5G0*	059.3002.000	059.3022.000	059.3121.000	059.3125.000	
* Replace 0 (plug-less) with A, E or U for 2.8m American, European or UK mains plug						
IP66/NEMA 4X wash-down pumps		IP55			IP65	
620DiN	060.417N.5G0**	069.5231.000	n/a	n/a	059.450N.520	
** Replace 0 (plug-less) with A for 2.8m American mains lead						
Y element tubing				Continuous tubing		
Bore size (4.0mm wall thickness)	8.0mm	12.0mm	16.0mm	8.0mm	12.0mm	16.0mm
Tubing material						
Pumpsil silicone	913.AE80.K40	913.A12E.K40	913.A16E.040	913.A080.040	913.A120.040	913.A160.040
Marpene	902.E080.K40	902.E120.K40	902.E160.040	902.0080.040	902.A120.040	902.0160.040
Bioprene	933.E080.K40	933.E120.K40	933.E160.040	933.0080.040	933.A120.040	933.0160.040
Neoprene	920.E080.K40	920.E120.K40	920.E160.040	920.0080.040	920.A120.040	920.0160.040
STA-PURE PCS	960.E080.K40	960.E120.K40	960.E160.040			
STA-PURE PFL	965.E080.K40	965.E120.K40	965.E160.040			
			Clamp set for continuous tube			069.4001.000
NB: 4 bar pressure capability with STA-PURE PCS elements						

Disclaimer: The information in this document is believed to be correct, but Watson-Marlow Flexicon A/S accepts no liability for any errors it contains, and reserves the right to alter specifications without notice. WARNING: These products are not designed for use in, and should not be used for, patient-connected applications. asepticu and Accusil are registered trademarks.

wmfts.com/global



26 July 2023